



JUNIPER®

MODERN LIGHTING SOLUTIONS | 2019



***HONESTY IN  
DESIGN CAN BE  
FOUND IN THE  
DETAILS.***



## **ABOUT JUNIPER**

- 7 HISTORY
- 9 VISION
- 11 COLLECTION

## **LIGHTING PRODUCTS**

- 12 THIN SOLIDS COLLECTION
- 22 THE RAIL OUTDOOR SYSTEM
- 26 AXIS COLLECTION
- 38 METROPOLIS COLLECTION
- 50 THIN SUSPENSION
- 58 THIN MULTIPLES COLLECTION
- 72 THIN SURFACE MOUNT COLLECTION
- 86 THIN PRIMARIES COLLECTION
- 106 THIN TASK LAMP COLLECTION
- 112 THIN SHARED TASK LAMP
- 116 M LAMP
- 118 THE WALLY
- 122 THIN CHANDELIER
- 128 LOVE ME NOT
- 130 GROUND CONTROL COLLECTION

## **OVERVIEW**

- 142 GLOSSARY
- 148 CONTACT



## HISTORY

In 2011, a small team with a big passion for design embarked upon a mission to bring a fresh perspective on lighting to an industry poised for change. Before long, Juniper would become one of the early pioneers of the burgeoning Brooklyn contemporary lighting scene.

Today, Juniper is a fully-integrated design and manufacturing studio. Honesty, passion, and craftsmanship are fundamental in our quest to bring upscale architectural lighting to homes, offices, and hospitality spaces worldwide.





## VISION

Our business was formed around the idea that good design is essential and has the power to transform people and places in meaningful ways. We do this by integrating design with technology to create innovative lighting solutions for unique spaces. For us, that means reducing our products to their truest and simplest form. It means innovating not for the sake of it, but to solve problems in a way that improves our lives while reducing demands on our environment. It means using natural materials and finishes that reflect the true origin and intent of our products.

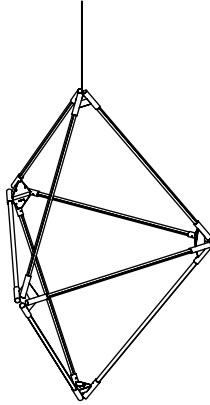
We believe that honesty in design can be found in the details, so we obsess over them, sometimes irrationally, as we seek to solve problems even our users don't know exist. In the end, we fall in love with our products. We're proud to make them, proud to produce them, and proud to be shown with them.



## COLLECTION

Amazement occurs when one witnesses the unusual. With this in mind, each of our collaborations begin with the intent and the challenge to produce something outside of the norm. Sometimes innovation is in the details, and sometimes it is at the very core of the product. Our collection is made up of thoughtfully designed and meticulously engineered lighting solutions, while our design philosophy is centralized around reduction, user experience, and technological advancement.

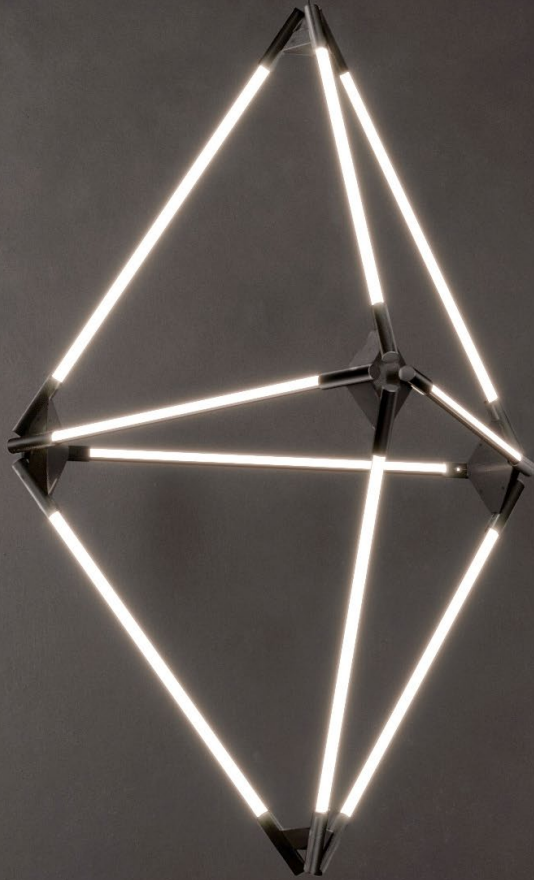
We are proud to be the recipients of numerous design awards. Our products have been featured in a collection of design anthologies and publications across the globe.



## THIN SOLIDS DIAMOND

The THIN Solids Diamond features opposing forces that join at its center to create a symmetrical and harmonious octahedron shape. The THIN Solids Collection offers our THIN rotatable light segments that can be turned in for a concentrated glow, or rotated out for a diffused aura of ambient light.

<b>DIMENSIONS</b>	12 IN, 18 IN, OR 24 IN LENGTHS, 1/2 IN Ø
<b>WATTAGE &amp; LUMENS</b>	12 IN - 30.6W, 0-2700LM TOTAL 18 IN - 45.9W, 0-4100LM TOTAL 24 IN - 61.2W, 0-5500LM TOTAL
<b>LIGHT TEMPERATURE</b>	2700K, 3000K, 3500K, 4000K
<b>LIGHT QUALITY</b>	90CRI
<b>MATERIALS</b>	SOLID BRASS, PMMA
<b>FINISHES</b>	SATIN BRASS, BLACK OXIDE, SATIN NICKEL
<b>CERTIFICATIONS</b>	CE, cUL, UL, TITLE 24, DAMP LOCATION



*THIN Solids Diamond in Black Oxide*

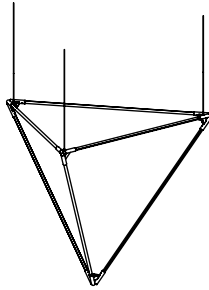




*THIN Solids Diamond in Satin Nickel*



OTHER MOUNTING  
OPTIONS AVAILABLE



## THIN SOLIDS TETRAHEDRON

The THIN Solids Tetrahedron displays a triangular silhouette outlined by minimal lines of light. One of five Platonic solids, the Tetrahedron symbolizes one of the strongest structural shapes for durability under pressure. The pendant provides an impactful statement as it suspends from either of its corners or sides.

<b>DIMENSIONS</b>	12 IN, 18 IN, OR 24 IN LENGTHS, 1/2 IN Ø
<b>WATTAGE &amp; LUMENS</b>	12 IN - 20.4W, 0-1800LM TOTAL 18 IN - 30.6W, 0-2700LM TOTAL 24 IN - 40.8W, 0-3600LM TOTAL
<b>LIGHT TEMPERATURE</b>	2700K, 3000K, 3500K, 4000K
<b>LIGHT QUALITY</b>	90CRI
<b>MATERIALS</b>	SOLID BRASS, PMMA
<b>FINISHES</b>	SATIN BRASS, BLACK OXIDE, SATIN NICKEL
<b>CERTIFICATIONS</b>	CE, cUL, UL, TITLE 24, DAMP LOCATION
<b>OPTIONAL FEATURES</b>	1 OR 3 MOUNTING POINTS, CENTER- MOUNT, DIRECT-MOUNT TO CEILING

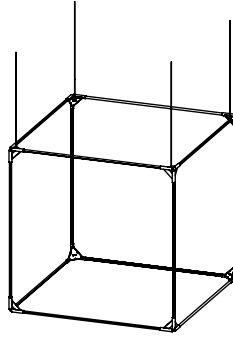




*THIN Solids Tetrahedron in Satin Nickel*



OTHER MOUNTING  
OPTIONS AVAILABLE



## THIN SOLIDS CUBE

The THIN Solids Cube represents truth, appearing unbiased from all angles. Perfect symmetry offers a strong voice with perpendicular angles and illuminated edges. The collection can extend and interlock for larger installations, or have an impactful effect when installed as a single pendant.

<b>DIMENSIONS</b>	12 IN, 18 IN, OR 24 IN LENGTHS, 1/2 IN Ø
<b>WATTAGE &amp; LUMENS</b>	12 IN - 40.8W, 0-3600LM TOTAL 18 IN - 61.2W, 0-5500LM TOTAL 24 IN - 81.6W, 0-7300LM TOTAL
<b>LIGHT TEMPERATURE</b>	2700K, 3000K, 3500K, 4000K
<b>LIGHT QUALITY</b>	90CRI
<b>MATERIALS</b>	SOLID BRASS, PMMA
<b>FINISHES</b>	SATIN BRASS, BLACK OXIDE, SATIN NICKEL
<b>CERTIFICATIONS</b>	CE, cUL, UL, TITLE 24, DAMP LOCATION
<b>OPTIONAL FEATURES</b>	1, 2 OR 4 MOUNTING POINTS, CENTER-MOUNT, DIRECT-MOUNT TO CEILING

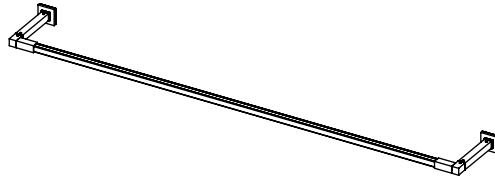
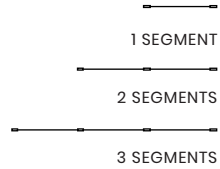


*THIN Solids Cube in Satin Brass*



*THIN Solids Cube in Black Oxide*





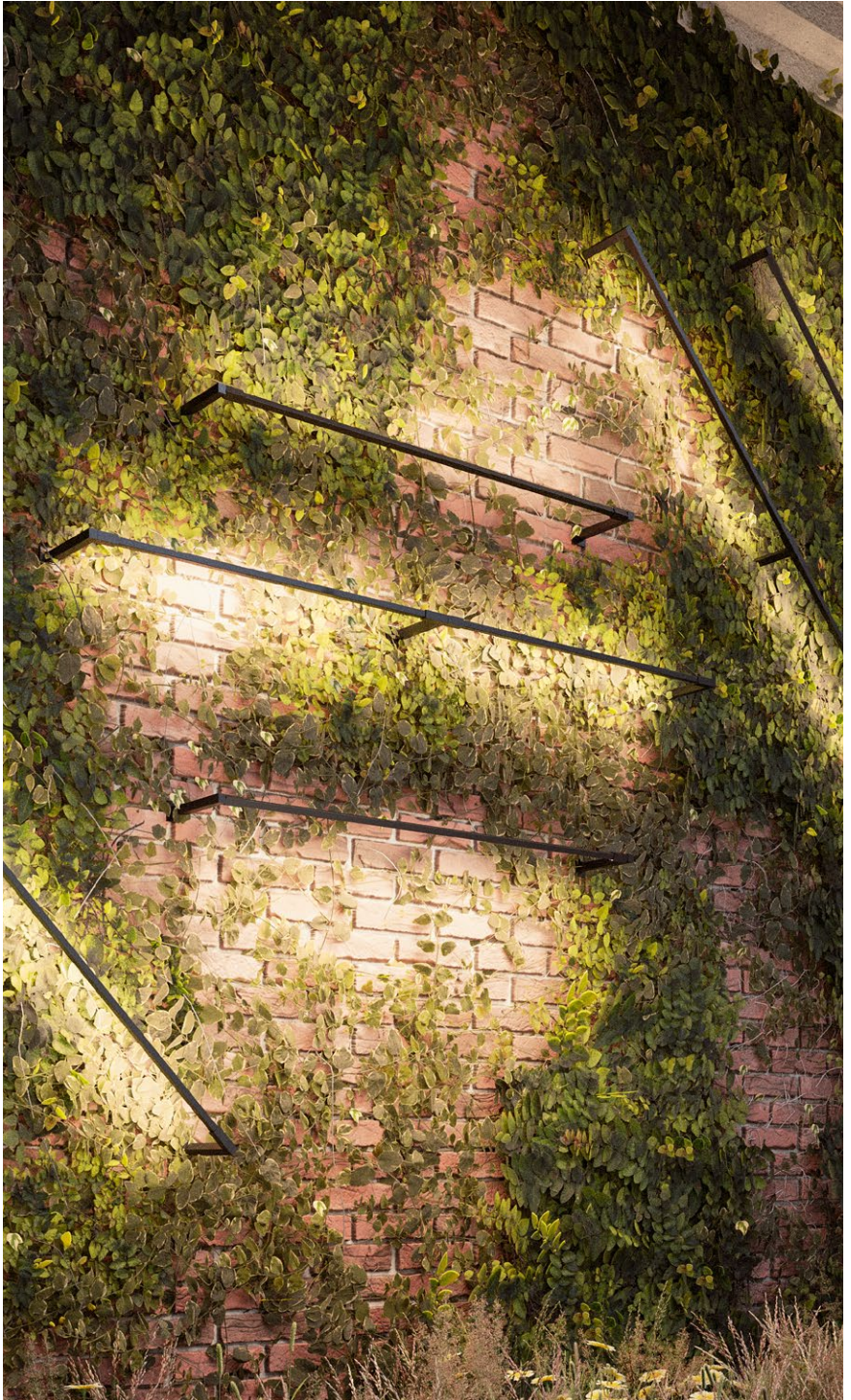
## THE RAIL OUTDOOR SYSTEM

The Rail uniquely offers a 1/2-inch square body that individually rotates 320° to aim light on outdoor signage, architectural elements, and walkways. Its water-resistant anodized aluminum body provides a durable finish to withstand outdoor elements. Easily connect segments together for longer runs.

<b>DIMENSIONS</b>	36 IN, 48 IN, OR 60 IN LENGTHS, 1/2 IN Ø
<b>STANDOFF HEIGHTS</b>	3 IN, 7 IN, 12 IN
<b>WATTAGE &amp; LUMENS</b>	36 IN - 11.8W, 0-820LM PER SEGMENT 48 IN - 16.2W, 0-1125LM PER SEGMENT 60 IN - 20.8W, 0-1417LM PER SEGMENT
<b>LIGHT TEMPERATURE</b>	3000K, 3500K, 4000K
<b>LIGHT QUALITY</b>	90CRI
<b>MATERIALS</b>	ALUMINUM, SILICONE
<b>FINISHES</b>	SANDBLASTED ALUMINUM, BLACK, BRONZE
<b>CERTIFICATIONS</b>	IP65 RATED, cUL, UL



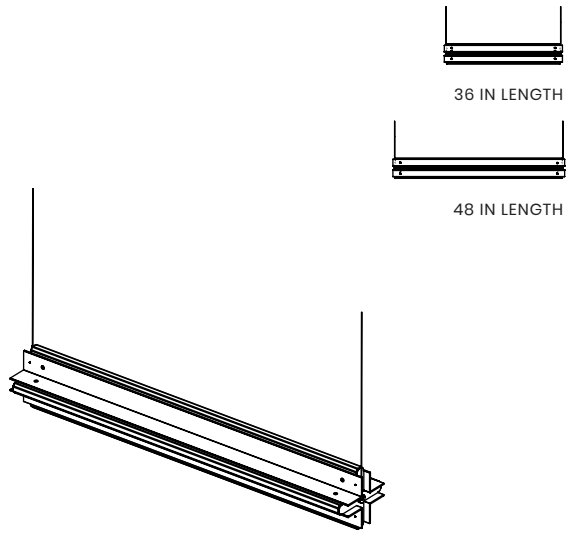
*The Rail in Sandblasted Aluminum*







*The Rail in Black*



## AXIS X

The Axis Collection draws inspiration from the method of extruding angles and channels that proliferated throughout the 19<sup>th</sup> century. Designed by Miren Lasnier at Juniper, the Axis X features parallel angles that embrace four channels of light to create an X or + orientation.

<b>DIMENSIONS</b>	36 IN OR 48 IN LENGTHS, 6 IN X 6 IN
<b>WATTAGE &amp; LUMENS</b>	36 IN - 55W, 0-3700LM TOTAL 48 IN - 74W, 0-5000LM TOTAL
<b>LIGHT TEMPERATURE</b>	2700K, 3000K, 3500K, 4000K
<b>LIGHT QUALITY</b>	90CRI
<b>MATERIALS</b>	BRONZE, FROSTED PMMA
<b>FINISHES</b>	SATIN BRASS, POLISHED BRASS, BLACK OXIDE, ANTIQUE PEWTER, BLACK WALNUT, GREY-STAINED ASH
<b>CERTIFICATIONS</b>	CE, cUL, UL, TITLE 24, DAMP LOCATION RATED

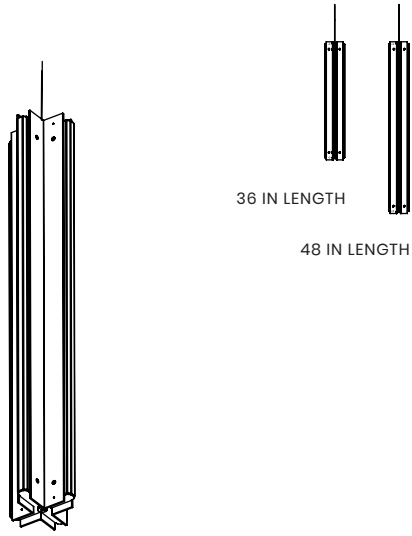


*The Axis X in Polished Brass*





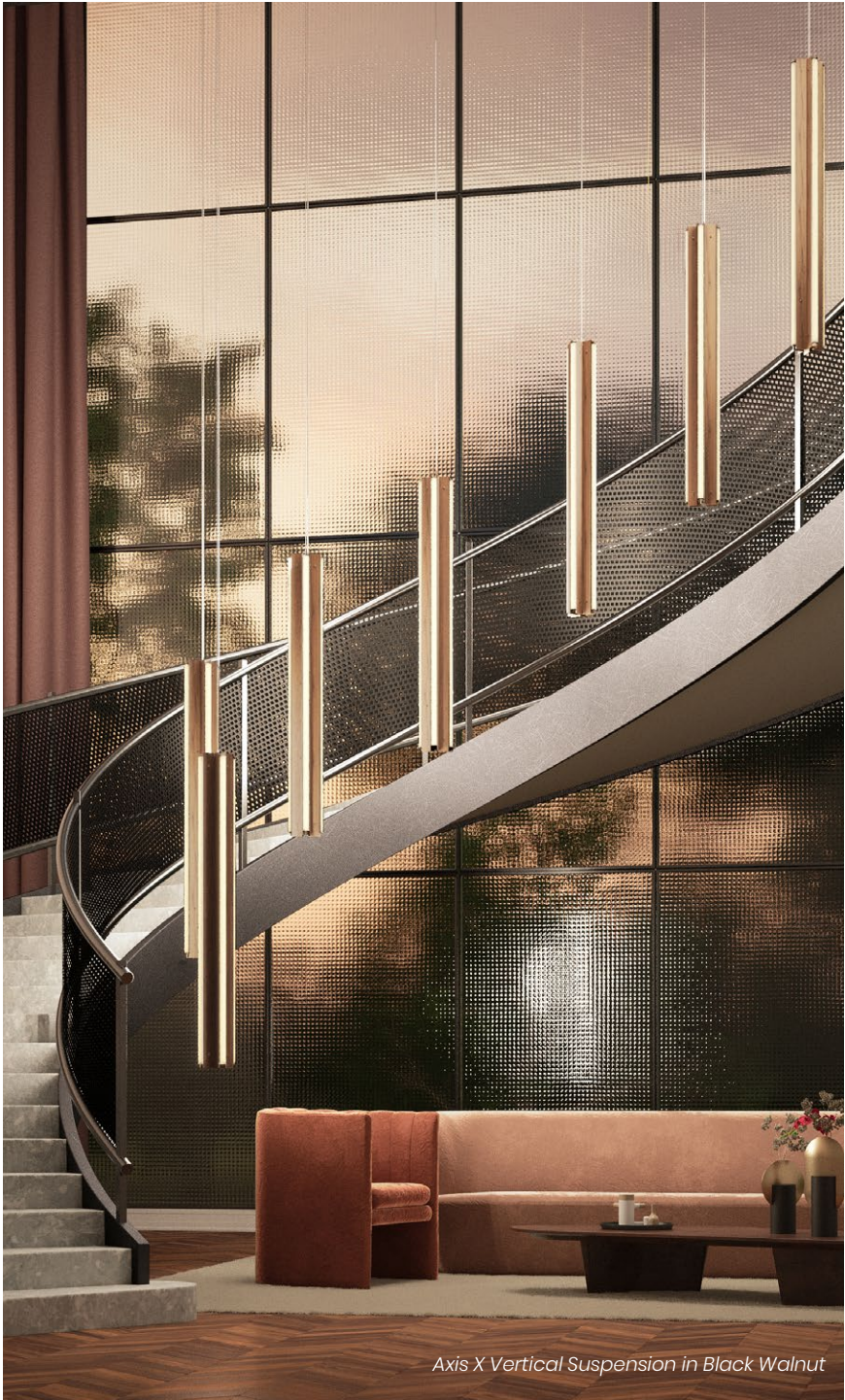
*The Axis X in Satin Brass*



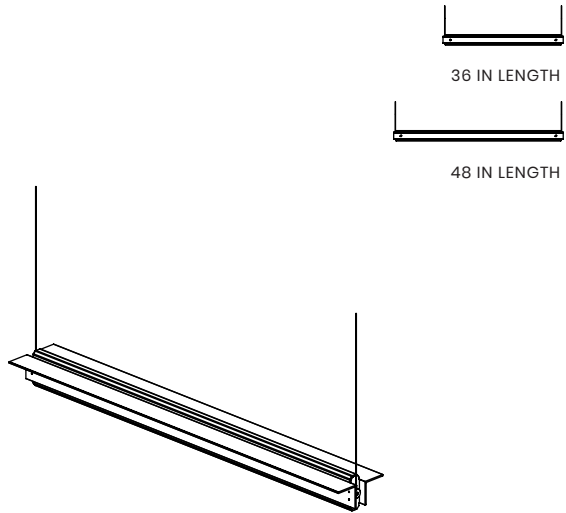
## AXIS X VERTICAL SUSPENSION

The extruded body of the Axis X Vertical Suspension is suspended from a single mounting point, creating a long and elegant fixture. The four light arrays are designed for high-output illumination, while its low dimming capability reduces the fixture to a light sculpture.

<b>DIMENSIONS</b>	36 IN OR 48 IN LENGTHS, 6 IN X 6 IN
<b>WATTAGE &amp; LUMENS</b>	36 IN - 55W, 0-3700LM TOTAL 48 IN - 74W, 0-5000LM TOTAL
<b>LIGHT TEMPERATURE</b>	2700K, 3000K, 3500K, 4000K
<b>LIGHT QUALITY</b>	90CRI
<b>MATERIALS</b>	BRONZE, FROSTED PMMA
<b>FINISHES</b>	SATIN BRASS, POLISHED BRASS, BLACK OXIDE, ANTIQUE PEWTER, BLACK WALNUT, GREY-STAINED ASH
<b>CERTIFICATIONS</b>	CE, cUL, UL, TITLE 24, DAMP LOCATION RATED



*Axis X Vertical Suspension in Black Walnut*



## AXIS T

The Axis T is a balance of form and light. Illuminated arrays follow two channels of parallel brass angles, casting a direct and indirect beam of light. Its solid bronze body and precise construction inform the confluence of luxury and solidity.

<b>DIMENSIONS</b>	36 IN OR 48 IN LENGTHS, 5 IN X 3 IN
<b>WATTAGE &amp; LUMENS</b>	36 IN - 27.5W, 0-1800LM TOTAL 48 IN - 37W, 0-2400LM TOTAL
<b>LIGHT TEMPERATURE</b>	2700K, 3000K, 3500K, 4000K
<b>LIGHT QUALITY</b>	90CRI
<b>MATERIALS</b>	BRONZE, FROSTED PMMA
<b>FINISHES</b>	SATIN BRASS, POLISHED BRASS, BLACK OXIDE, ANTIQUE PEWTER, BLACK WALNUT, GREY-STAINED ASH
<b>CERTIFICATIONS</b>	CE, cUL, UL, TITLE 24, DAMP LOCATION RATED



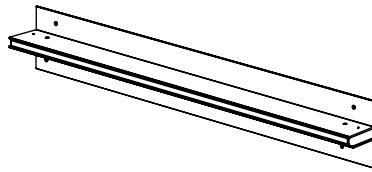
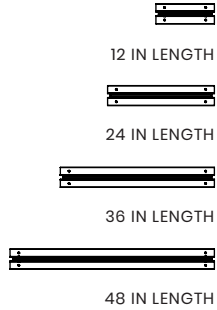


*The Axis T in Antique Pewter*





*The Axis T in Satin Brass*



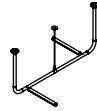
## AXIS WALL SCONCE

The Axis Wall Sconce conveys a contemporary industry-inspired design. A single array follows a channel of parallel brass angles and radiates light from a mounted backplate. The Axis Wall Sconce delivers high-end finishes and architectural performance.

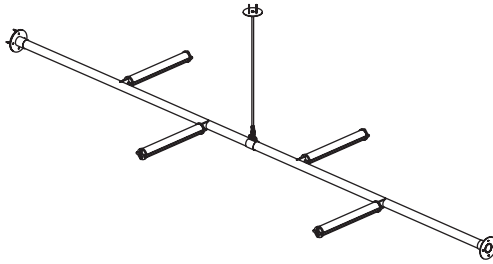
<b>DIMENSIONS</b>	12 IN, 24 IN, 36 IN, OR 48 IN LENGTHS 5 IN X 2.5 IN
<b>WATTAGE &amp; LUMENS</b>	12 IN - 4.5W, 0-270LM 24 IN - 9W, 0-650LM 36 IN - 14W, 0-900LM 48 IN - 18.5W, 0-1200LM
<b>LIGHT TEMPERATURE</b>	2700K, 3000K, 3500K, 4000K
<b>LIGHT QUALITY</b>	90CRI
<b>MATERIALS</b>	BRONZE, FROSTED PMMA
<b>FINISHES</b>	SATIN BRASS, POLISHED BRASS, BLACK OXIDE, ANTIQUE PEWTER, BLACK WALNUT, GREY-STAINED ASH
<b>CERTIFICATIONS</b>	CE, cUL, UL, ADA COMPLIANT, TITLE 24, DAMP LOCATION RATED



*The Axis Wall Sconce in Black Oxide*



CUSTOM LENGTHS  
OTHER MOUNTING  
OPTIONS AVAILABLE



## METROPOLIS WALL-TO-WALL

WITH DAVID MECKLEY

The Metropolis Collection is inspired by Bauhaus design, nautical objects, and the rock 'n' roll era. The Metropolis Wall-to-Wall is customized to span the full length of a space and is designed to bring upscale finishes and high-level modularity to the workspace.

<b>DIMENSIONS</b>	26 IN OR 36 IN MODULES X 3.5 IN Ø CUSTOM LENGTHS
<b>WATTAGE &amp; LUMENS</b>	26 IN - 41W, 0-4000LM PER MODULE 36 IN - 61W, 0-6100LM PER MODULE
<b>LIGHT TEMPERATURE</b>	2400K, 2700K, 3000K
<b>LIGHT QUALITY</b>	90CRI
<b>MATERIALS</b>	BRASS, ALUMINUM, FROSTED ACRYLIC, BLACKENED STEEL FOR MESH
<b>FINISHES</b>	SATIN BRASS, SATIN ALUMINUM, POLISHED ALUMINUM, ALL BLACK
<b>CERTIFICATIONS</b>	CE, cUL, UL
<b>OTHER FEATURES</b>	BLACK HEXAGONAL MESH DIFFUSER AVAILABLE, DIRECT/INDIRECT DIMMING, MANY MOUNTING OPTIONS (INQUIRE)



*Metropolis Wall-to-Wall in Satin Brass with Mesh Overlay and 36-inch Modules*



*Metropolis Wall-to-Wall in Satin Brass, Argonaut Conference Room, Photo by David Wakely*



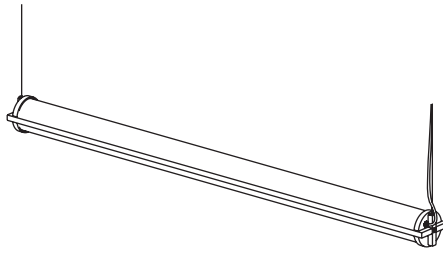




36 IN LENGTH



48 IN LENGTH



## METROPOLIS SUSPENSION

WITH DAVID MECKLEY

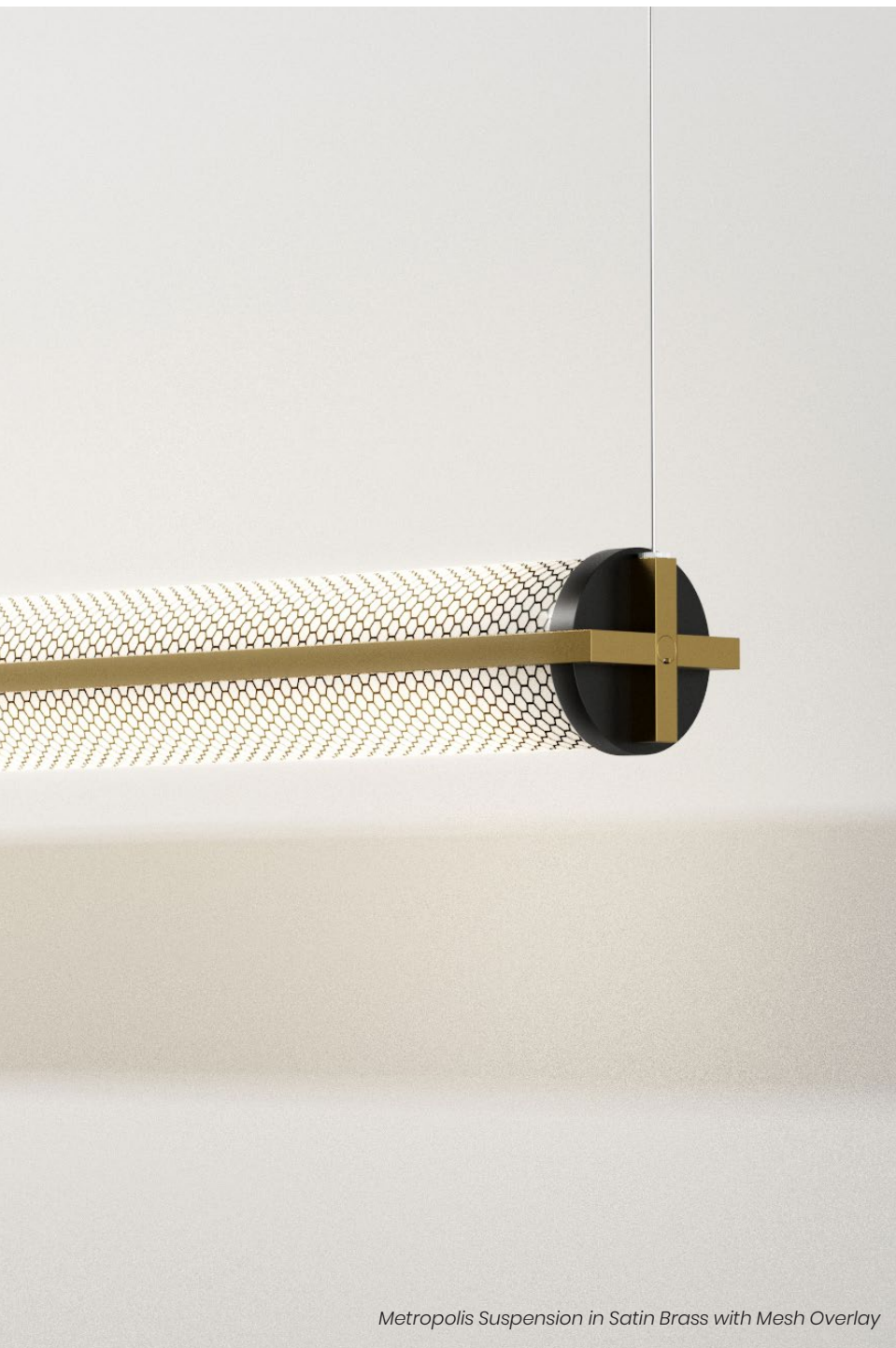
The Metropolis Suspension forms part of our Bauhaus-inspired collection of high-powered architectural lighting. The unique cylindrical system is engineered to independently dim top and bottom hemispheres.

<b>DIMENSIONS</b>	36 IN OR 48 IN LENGTHS, 3.5 IN Ø
<b>WATTAGE &amp; LUMENS</b>	36 IN - 61W, 0-6100LM DELIVERED 48 IN - 81W, 0-8200LM DELIVERED
<b>LIGHT TEMPERATURE</b>	2400K, 2700K, 3000K
<b>LIGHT QUALITY</b>	90CRI
<b>MATERIALS</b>	ALUMINUM, FROSTED ACRYLIC, BLACKENED STEEL FOR MESH
<b>FINISHES</b>	SATIN BRASS, SATIN ALUMINUM, POLISHED ALUMINUM, POLISHED BRASS
<b>CERTIFICATIONS</b>	CE, cUL, UL
<b>OTHER FEATURES</b>	BLACK HEXAGONAL MESH DIFFUSER AVAILABLE, DIRECT/INDIRECT DIMMING

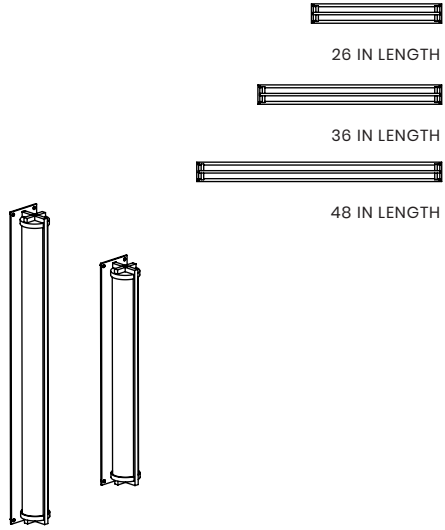


*Metropolis Suspension in Satin Brass*





*Metropolis Suspension in Satin Brass with Mesh Overlay*



## METROPOLIS WALL SCONCE

WITH DAVID MECKLEY

The Wall Sconce is an extension of the Metropolis Collection. The low-profile brass backplate is unique to the sconce and allows vertical and horizontal mounting. The high-output fixtures accommodate dimmable direct and indirect light control.

<b>DIMENSIONS</b>	26 IN, 36 IN, OR 48 IN LENGTHS, 3.5 IN Ø
<b>WATTAGE &amp; LUMENS</b>	26 IN - 41W, 0-4000LM DELIVERED 36 IN - 61W, 0-6100LM DELIVERED 48 IN - 81W, 0-8200LM DELIVERED
<b>LIGHT TEMPERATURE</b>	2400K, 2700K, 3000K
<b>LIGHT QUALITY</b>	90CRI
<b>MATERIALS</b>	ALUMINUM, FROSTED ACRYLIC, BLACKENED STEEL FOR MESH
<b>FINISHES</b>	SATIN BRASS, SATIN ALUMINUM, POLISHED ALUMINUM, POLISHED BRASS
<b>CERTIFICATIONS</b>	CE, cUL, UL, ADA COMPLIANT
<b>OTHER FEATURES</b>	BLACK MESH DIFFUSER AVAILABLE, DIRECT/INDIRECT DIMMING, ADA COMPLIANT



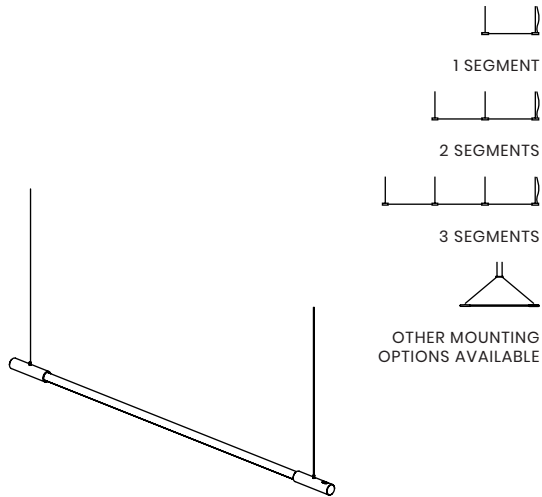
*Metropolis Wall Sconce in Satin Aluminum*







*Metropolis Wall Sconces in Satin Brass*



## THIN SUSPENSION

WITH PETER BRISTOL

The THIN Suspension forms part of the Juniper THIN lighting system. It elevates the standards of architectural lighting by uniting function with finish. With an ultra-fine profile, the THIN Suspension features interconnecting, rotating, and dimmable LED light segments for adjustable illumination at any length.

<b>DIMENSIONS</b>	24 IN OR 36 IN SEGMENT LENGTHS
<b>EXTENDABLE LENGTHS</b>	UP TO 27 FT TOTAL ON 96W DRIVER LONGER LENGTHS AVAILABLE
<b>WATTAGE &amp; LUMENS</b>	24 IN - 6.8W, 0-600LM PER SEGMENT 36 IN - 9.6W, 0-920LM PER SEGMENT
<b>LIGHT TEMPERATURE</b>	2700K, 3000K, 3500K, 4000K
<b>LIGHT QUALITY</b>	90CRI
<b>MATERIALS</b>	SOLID BRASS, PMMA
<b>FINISHES</b>	SATIN BRASS, BLACK OXIDE, SATIN NICKEL
<b>CERTIFICATIONS</b>	CE, cUL, UL, TITLE 24, DAMP LOCATION
<b>OPTIONAL FEATURES</b>	CENTER POWER FEED, CENTER-MOUNT WITH CABLE COLLAR, CENTER-MOUNT WITHOUT CABLE COLLAR, DIRECT-MOUNT TO CEILING



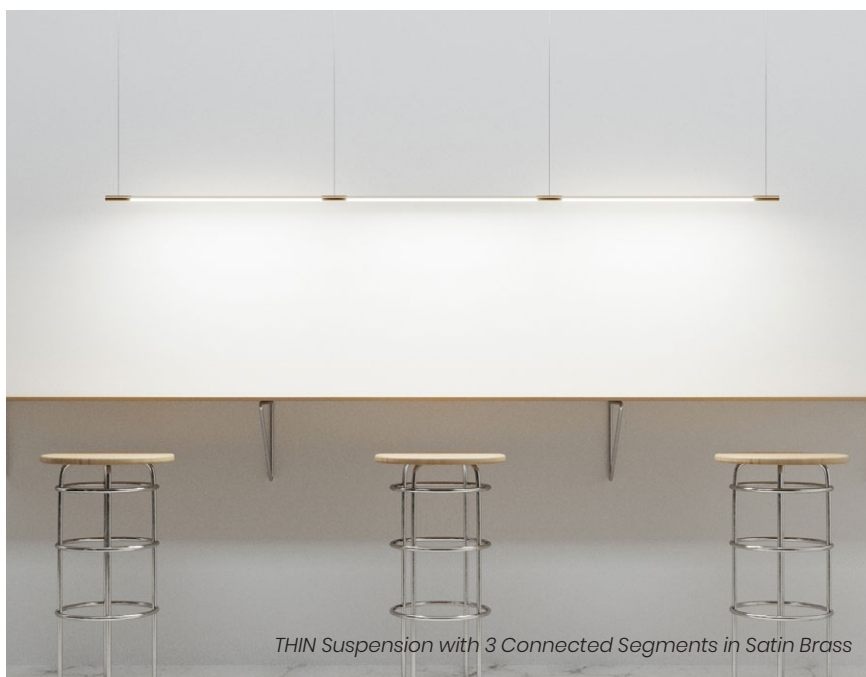
*THIN Suspension in Black Oxide*



*THIN Suspension in Black Oxide*



*THIN Suspension with 2 Connected Segments in Satin Nickel*



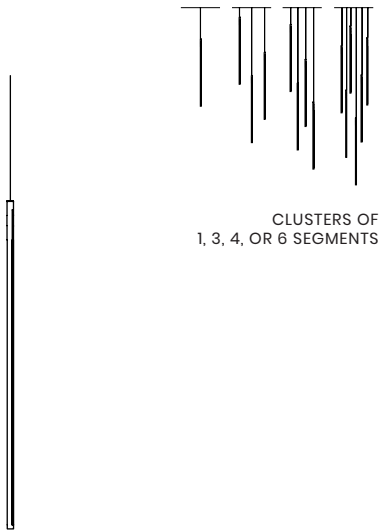
*THIN Suspension with 3 Connected Segments in Satin Brass*



*THIN Suspensions in Satin Nickel*



*THIM Suspension with 2 Connected Segments in Satin Nickel, Photo by Dean Birinyi*



## THIN VERTICAL SUSPENSION

WITH PETER BRISTOL

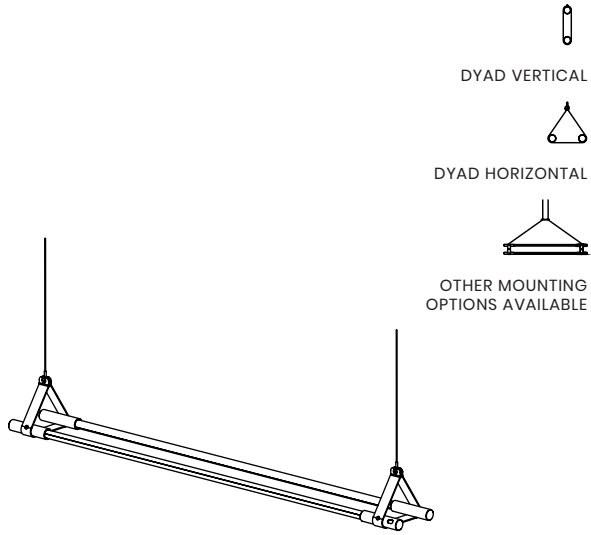
With its ½-inch diameter brass body, the THIN Vertical Suspension hangs by a single mounting point. Minimal and timeless, the THIN Vertical Suspension can be mounted singularly or in clusters to form dazzling installations of warm light. Clusters and drop heights can be customized to create unique installations.

<b>DIMENSIONS</b>	24 IN, 36 IN OR 48 IN SEGMENT LENGTHS
<b>WATTAGE &amp; LUMENS</b>	24 IN - 6.8W, 0-600LM PER SEGMENT 36 IN - 9.6W, 0-920LM PER SEGMENT 48 IN - 13.6W, 0-1227LM PER SEGMENT
<b>LIGHT TEMPERATURE</b>	2700K, 3000K, 3500K, 4000K
<b>LIGHT QUALITY</b>	90CRI
<b>MATERIALS</b>	SOLID BRASS, PMMA
<b>FINISHES</b>	SATIN BRASS, BLACK OXIDE, SATIN NICKEL
<b>CERTIFICATIONS</b>	CE, cUL, UL, TITLE 24, DAMP LOCATION





*Cluster of 3 THIN Vertical Suspensions in Satin Brass*



## THIN MULTIPLES DYAD

WITH PETER BRISTOL

The THIN Multiples Collection arranges Juniper's signature LED arrays into clusters intended to provide different volumes and dispersions of light. The Dyad features dual light segments that can be arranged horizontally or vertically.

<b>DIMENSIONS</b>	24 IN OR 36 IN SEGMENT LENGTHS
<b>STYLE OPTIONS</b>	HORIZONTAL OR VERTICAL
<b>EXTENDABLE LENGTHS</b>	UP TO 12 FT TOTAL ON 96W DRIVER LONGER LENGTHS AVAILABLE
<b>WATTAGE &amp; LUMENS</b>	24 IN - 13.6W, 0-1200LM PER SECTION 36 IN - 19.2W, 0-1840LM PER SECTION
<b>LIGHT TEMPERATURE</b>	2700K, 3000K, 3500K, 4000K
<b>LIGHT QUALITY</b>	90CRI
<b>MATERIALS</b>	SOLID BRASS, PMMA
<b>FINISHES</b>	SATIN BRASS, BLACK OXIDE, SATIN NICKEL
<b>CERTIFICATIONS</b>	CE, cUL, UL, TITLE 24, DAMP LOCATION
<b>OPTIONAL FEATURES</b>	CENTER-MOUNT WITH CABLE COLLAR, CENTER-MOUNT WITHOUT CABLE COLLAR, DIRECT-MOUNT TO CEILING



*THIN Multiples Dyad Horizontal in Satin Brass*



*THIN Multiples Dyad Horizontal in Satin Nickel*



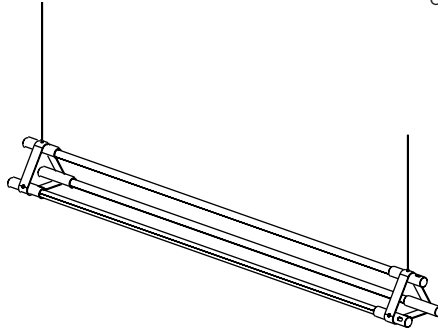
*THIN Multiples Dyad Vertical in Satin Nickel*



TRIAD



OTHER MOUNTING  
OPTIONS AVAILABLE



## THIN MULTIPLES TRIAD

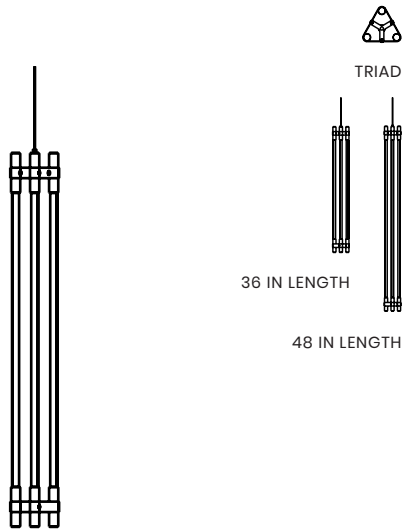
WITH PETER BRISTOL

The THIN Multiples Triad forms an extruded prism shape with three contemporary LED light segments. Longer lengths can be achieved by interconnecting the rotatable and dimmable segments. Available in a variety of brass finishes.

<b>DIMENSIONS</b>	24 IN OR 36 IN SEGMENT LENGTHS
<b>EXTENDABLE LENGTHS</b>	UP TO 8 FT TOTAL ON 96W DRIVER LONGER LENGTHS AVAILABLE
<b>WATTAGE &amp; LUMENS</b>	24 IN - 20.4W, 0-1800LM PER SECTION 36 IN - 28.8W, 0-2760LM PER SECTION
<b>LIGHT TEMPERATURE</b>	2700K, 3000K, 3500K, 4000K
<b>LIGHT QUALITY</b>	90CRI
<b>MATERIALS</b>	SOLID BRASS, PMMA
<b>FINISHES</b>	SATIN BRASS, BLACK OXIDE, SATIN NICKEL
<b>CERTIFICATIONS</b>	CE, cUL, UL, TITLE 24, DAMP LOCATION
<b>OPTIONAL FEATURES</b>	CENTER-MOUNT WITH CABLE COLLAR, CENTER-MOUNT WITHOUT CABLE COLLAR, DIRECT-MOUNT TO CEILING



*THIN Multiples Triad with 3 Connected Sections in Satin Brass*



## THIN MULTIPLES VERTICAL TRIAD

WITH PETER BRISTOL

The THIN Multiples Vertical Triad translates the classic prism shape into a vertical pendant with three rotatable light segments. Suspended by a single mounting point, the fixture exudes simplicity and refinement through the study of material and form.

<b>DIMENSIONS</b>	24 IN OR 36 IN SEGMENT LENGTHS
<b>WATTAGE &amp; LUMENS</b>	24 IN - 20.4W, 0-1800LM TOTAL 36 IN - 28.8W, 0-2760LM TOTAL
<b>LIGHT TEMPERATURE</b>	2700K, 3000K, 3500K, 4000K
<b>LIGHT QUALITY</b>	90CRI
<b>MATERIALS</b>	SOLID BRASS, PMMA
<b>FINISHES</b>	SATIN BRASS, BLACK OXIDE, SATIN NICKEL
<b>CERTIFICATIONS</b>	CE, cUL, UL, TITLE 24, DAMP LOCATION





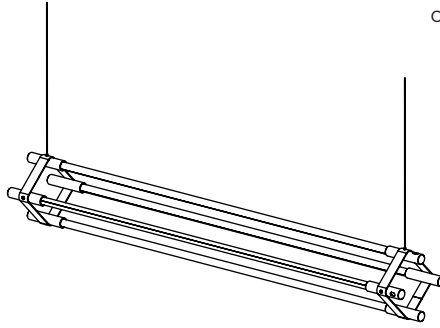
*THIN Multiples Vertical Triad in Black Oxide*



TETRAD



OTHER MOUNTING  
OPTIONS AVAILABLE



## THIN MULTIPLES TETRAD

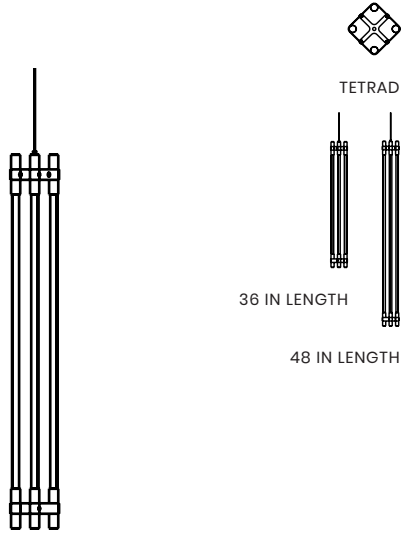
WITH PETER BRISTOL

The THIN Multiples Tetrad elevates the collection to four LED light segments, forming a rectangular prism. Dimmable light arrays, available in a variety of brass finishes, magnetically interlock into place and rotate on-site for custom lighting displays at almost any length.

<b>DIMENSIONS</b>	24 IN OR 36 IN OPTIONS
<b>EXTENDABLE LENGTHS</b>	UP TO 6 FT TOTAL ON 96W DRIVER LONGER LENGTHS AVAILABLE
<b>WATTAGE &amp; LUMENS</b>	24 IN - 27.2W, 0-2400LM PER SECTION 36 IN - 38.4W, 0-3680LM PER SECTION
<b>LIGHT TEMPERATURE</b>	2700K, 3000K, 3500K, 4000K
<b>LIGHT QUALITY</b>	90CRI
<b>MATERIALS</b>	SOLID BRASS, PMMA
<b>FINISHES</b>	SATIN BRASS, BLACK OXIDE, SATIN NICKEL
<b>CERTIFICATIONS</b>	CE, cUL, UL, TITLE 24, DAMP LOCATION
<b>OPTIONAL FEATURES</b>	CENTER-MOUNT WITH CABLE COLLAR, CENTER-MOUNT WITHOUT CABLE COLLAR, DIRECT-MOUNT TO CEILING



*THIN Multiples Tetrad in Black Oxide*



## THIN MULTIPLES VERTICAL TETRAD

WITH PETER BRISTOL

The THIN Multiples Vertical Tetrad displays four LED light segments vertically suspended from a single mounting point. Segments rotate on-site and magnetically connect into place like their THIN System counterparts. Fixtures can cluster together for unique installations.

<b>DIMENSIONS</b>	24 IN OR 36 IN OPTIONS
<b>WATTAGE &amp; LUMENS</b>	24 IN - 27.2W, 0-2400LM TOTAL 36 IN - 38.4W, 0-3680LM TOTAL
<b>LIGHT TEMPERATURE</b>	2700K, 3000K, 3500K, 4000K
<b>LIGHT QUALITY</b>	90CRI
<b>MATERIALS</b>	SOLID BRASS, PMMA
<b>FINISHES</b>	SATIN BRASS, BLACK OXIDE, SATIN NICKEL
<b>CERTIFICATIONS</b>	CE, cUL, UL, TITLE 24, DAMP LOCATION

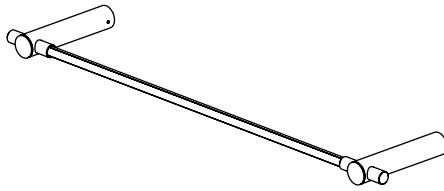
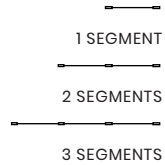


*THIN Multiples Vertical Tetrad in Satin Nickel*





*THIN Multiples Vertical Tetrads in Satin Brass*



## THIN SURFACE MOUNT (PICTURE LIGHT)

WITH PETER BRISTOL

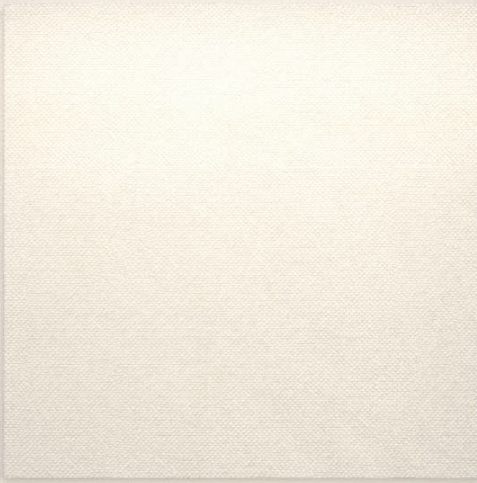
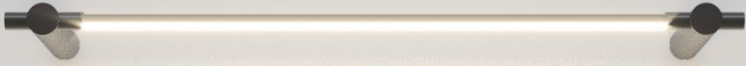
The THIN Surface Mount is an ultra-thin linear wall-mounted light fixture. Standing at 3½ or 7 inches off a surface and fully rotational, the fixture is ideally used as a picture/art light. Install as a single unit or interconnect segments to create longer runs.

<b>DIMENSIONS</b>	24 IN OR 36 IN SEGMENT LENGTHS
<b>STANDOFF HEIGHTS</b>	3.5 IN (90MM), 7 IN (180MM)
<b>EXTENDABLE LENGTHS</b>	UP TO 27 FT TOTAL ON 96W DRIVER
<b>WATTAGE &amp; LUMENS</b>	24 IN - 6.8W, 0-600LM PER SEGMENT 36 IN - 9.6W, 0-920LM PER SEGMENT
<b>LIGHT TEMPERATURE</b>	2700K, 3000K, 3500K, 4000K
<b>LIGHT QUALITY</b>	90CRI
<b>MATERIALS</b>	SOLID BRASS, PMMA
<b>FINISHES</b>	SATIN BRASS, BLACK OXIDE, SATIN NICKEL
<b>CERTIFICATIONS</b>	CE, cUL, UL, TITLE 24, DAMP LOCATION

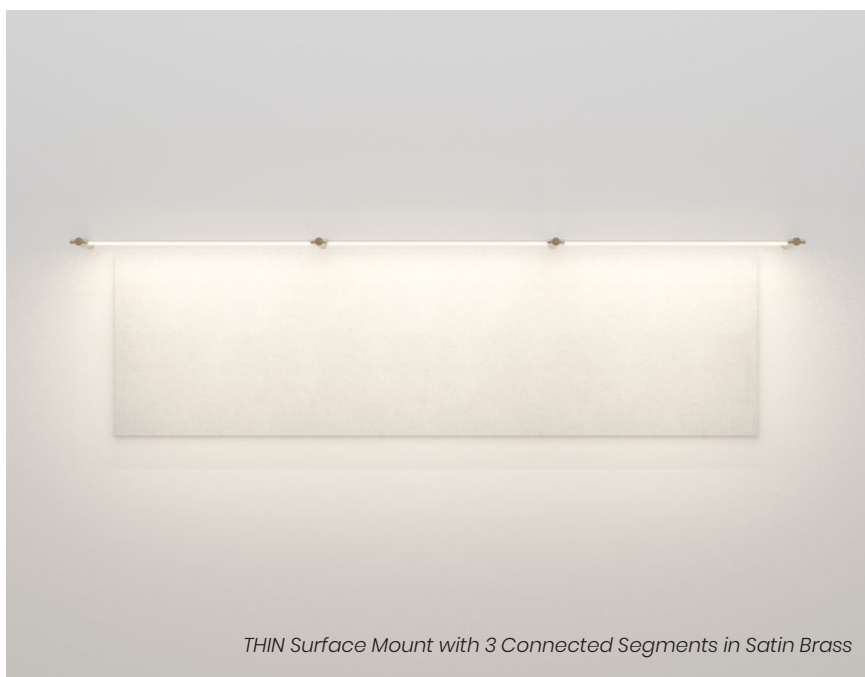




*THIN Surface Mount with 2 Connected Segments in Satin Brass*



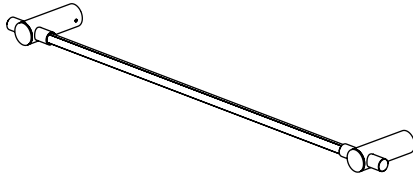
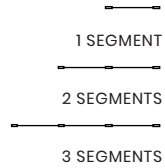
*THIN Surface Mount in Black Oxide*





*THIN Surface Mount in Satin Brass*





## THIN SURFACE MOUNT (VANITY LIGHT)

WITH PETER BRISTOL

The THIN Surface Mount is an ultra-thin linear wall-mounted light fixture. At 1¼ or 3½ inches from the wall, the rotating and dimmable LED light segments fit any mirror size with customizable standoffs and light segment lengths.

<b>DIMENSIONS</b>	24 IN OR 36 IN SEGMENT LENGTHS
<b>STANDOFF HEIGHTS</b>	1.75 IN (45MM), 3.5 IN (90MM)
<b>EXTENDABLE LENGTHS</b>	UP TO 27 FT TOTAL ON 96W DRIVER
<b>WATTAGE &amp; LUMENS</b>	24 IN - 6.8W, 0-600LM PER SEGMENT 36 IN - 9.6W, 0-920LM PER SEGMENT
<b>LIGHT TEMPERATURE</b>	2700K, 3000K, 3500K, 4000K
<b>LIGHT QUALITY</b>	90CRI
<b>MATERIALS</b>	SOLID BRASS, PMMA
<b>FINISHES</b>	SATIN BRASS, BLACK OXIDE, SATIN NICKEL
<b>CERTIFICATIONS</b>	CE, cUL, UL, TITLE 24, DAMP LOCATION, ADA COMPLIANT



*THIN Surface Mounts in Black Oxide*



*Two THIN Surface Mounts in Black Oxide*

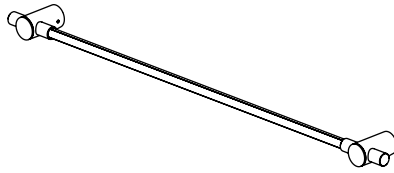
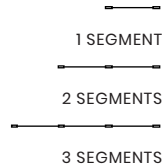




*Two THIN Surface Mounts with 2 Connected Segments in Satin Nickel*



*Two THIN Surface Mounts with 3 Connected Segments in Satin Brass*



## THIN SURFACE MOUNT (DISPLAY & UNDER-CABINET LIGHT)

WITH PETER BRISTOL

The THIN Surface Mount is an ultra-thin linear wall-mounted light fixture. Standing at 1¾, 3½, or 7 inches from a surface, the fixture is ideal for under-cabinet lighting or illuminating display nooks. Standoff heights and brass finish options enable custom and unique lighting solutions. Interconnect LED light segments for longer runs.

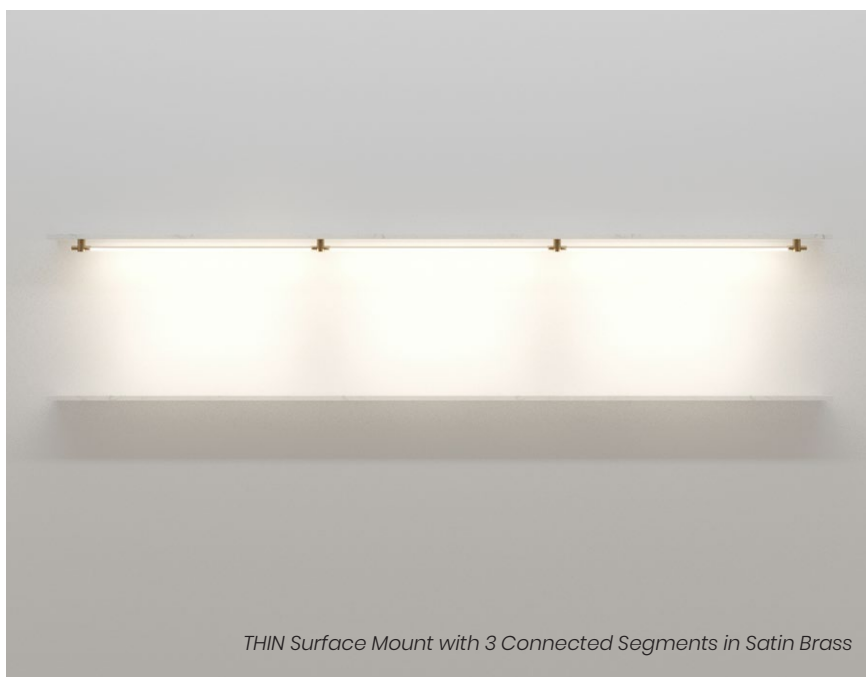
<b>DIMENSIONS</b>	24 IN OR 36 IN SEGMENT LENGTHS
<b>STANDOFF HEIGHTS</b>	1.75 IN (45MM), 3.5 IN (90MM), 7 IN (180MM)
<b>EXTENDABLE LENGTHS</b>	UP TO 27 FT TOTAL ON 96W DRIVER
<b>WATTAGE &amp; LUMENS</b>	24 IN - 6.8W, 0-600LM PER SEGMENT 36 IN - 9.6W, 0-920LM PER SEGMENT
<b>LIGHT TEMPERATURE</b>	2700K, 3000K, 3500K, 4000K
<b>LIGHT QUALITY</b>	90CRI
<b>MATERIALS</b>	SOLID BRASS, PMMA
<b>FINISHES</b>	SATIN BRASS, BLACK OXIDE, SATIN NICKEL
<b>CERTIFICATIONS</b>	CE, cUL, UL, TITLE 24, DAMP LOCATION



*THIN Surface Mount in Black Oxide*



*THIN Surface Mount in Black Oxide*

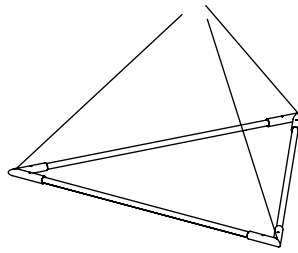




TRIANGLE



OTHER MOUNTING  
OPTIONS AVAILABLE

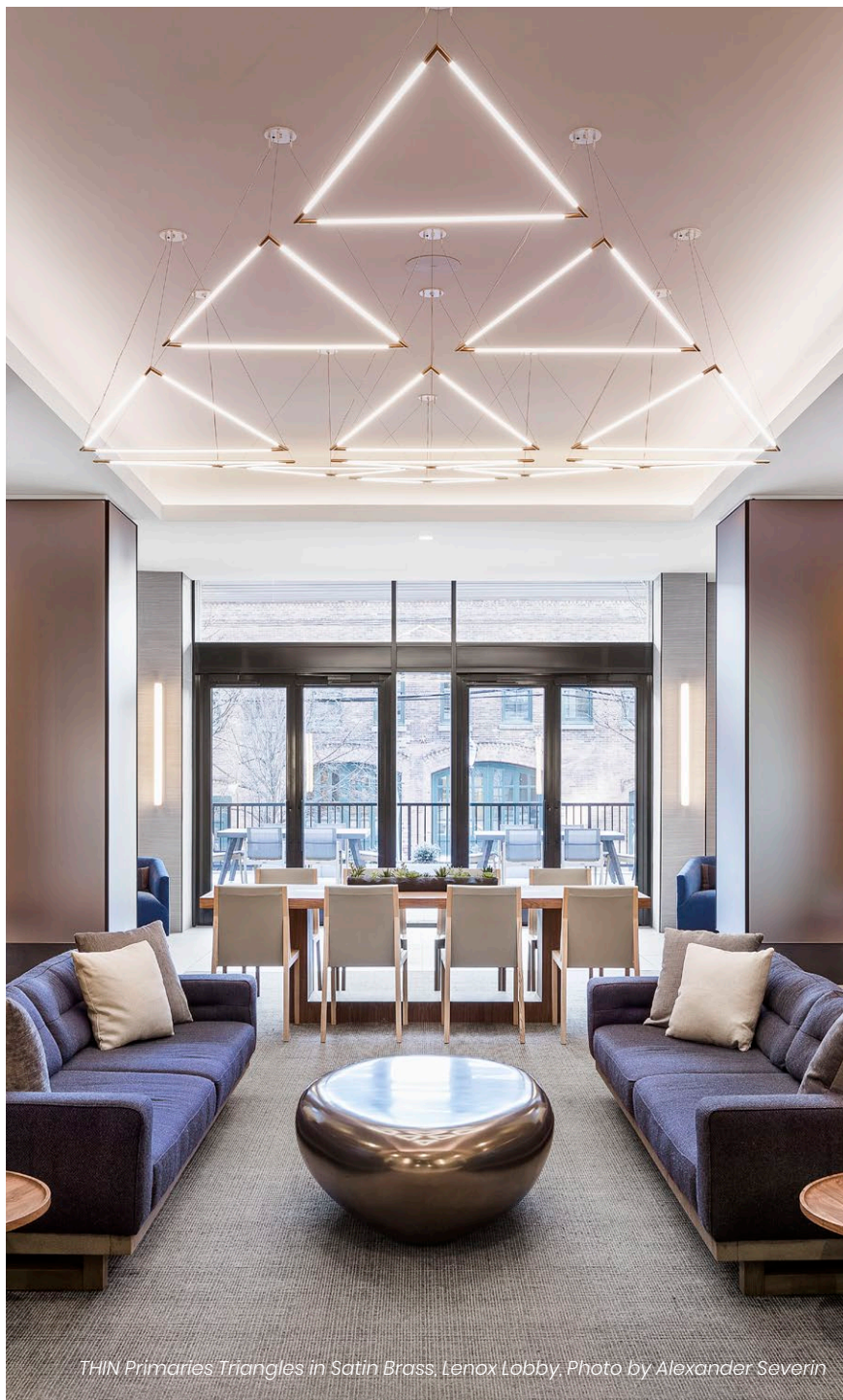


## THIN PRIMARIES TRIANGLE

WITH PETER BRISTOL

Both minimal and geometric, the THIN Primaries Triangle is a true exercise in reduction. The fixture uses slender and dimmable LED arrays that are connected by precise magnetic fittings to create an illuminated equilateral triangle.

<b>DIMENSIONS</b>	24 IN OR 36 IN SEGMENT LENGTHS
<b>ORIENTATIONS</b>	WALL-MOUNTED OR SUSPENDED
<b>SEGMENT QUANTITY</b>	3 SEGMENTS TOTAL
<b>WATTAGE &amp; LUMENS</b>	24 IN - 20.4W, 0-1800LM TOTAL 36 IN - 28.8W, 0-2760LM TOTAL
<b>LIGHT TEMPERATURE</b>	2700K, 3000K, 3500K, 4000K
<b>LIGHT QUALITY</b>	90CRI
<b>MATERIALS</b>	SOLID BRASS, PMMA
<b>FINISHES</b>	SATIN BRASS, BLACK OXIDE, SATIN NICKEL
<b>CERTIFICATIONS</b>	CE, cUL, UL, TITLE 24, DAMP LOCATION
<b>OPTIONAL FEATURES</b>	CENTER-MOUNT WITH CABLE COLLAR, CENTER-MOUNT WITHOUT CABLE COLLAR, DIRECT-MOUNT TO CEILING



*THIN Primaries Triangles in Satin Brass, Lenox Lobby, Photo by Alexander Severin*



*Wall-Mounted THIN Primaries Triangles in Satin Brass*





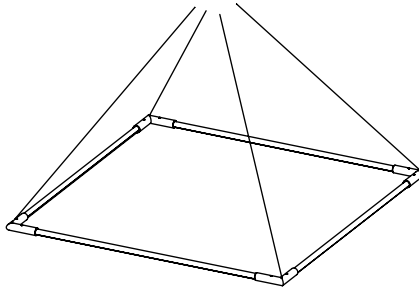
*Suspended THIN Primaries Triangles in Satin Brass*



SQUARE



OTHER MOUNTING  
OPTIONS AVAILABLE



## THIN PRIMARIES SQUARE

WITH PETER BRISTOL

The THIN Primaries Square orientation magnetically connects four fully-rotational LED light segments together. Interconnecting 24-inch or 36-inch segments allows the creation of fixtures of almost any size. All THIN Primaries can be suspended or wall-mounted.

<b>DIMENSIONS</b>	24 IN OR 36 IN SEGMENT LENGTHS
<b>ORIENTATIONS</b>	WALL-MOUNTED OR SUSPENDED
<b>SEGMENT QUANTITY</b>	4 SEGMENTS TOTAL
<b>WATTAGE &amp; LUMENS</b>	24 IN - 27.2W, 0-2400LM TOTAL 36 IN - 38.4W, 0-3680LM TOTAL
<b>LIGHT TEMPERATURE</b>	2700K, 3000K, 3500K, 4000K
<b>LIGHT QUALITY</b>	90 CRI
<b>MATERIALS</b>	SOLID BRASS, PMMA
<b>FINISHES</b>	SATIN BRASS, BLACK OXIDE, SATIN NICKEL
<b>CERTIFICATIONS</b>	CE, cUL, UL, TITLE 24, DAMP LOCATION
<b>OPTIONAL FEATURES</b>	CENTER-MOUNT WITH CABLE COLLAR, CENTER-MOUNT WITHOUT CABLE COLLAR, DIRECT-MOUNT TO CEILING



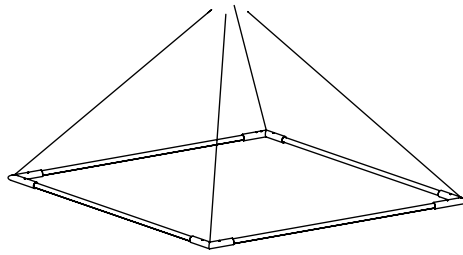
*THIN Primaries Squares in Black Oxide, 75 Rock Plaza, NY, Photo by TPG Architecture*



RHOMBUS



OTHER MOUNTING  
OPTIONS AVAILABLE



## THIN PRIMARIES RHOMBUS

WITH PETER BRISTOL

The THIN Primaries in Rhombus shape demonstrates the versatility of the THIN lighting system. Fixtures can be clustered, expanded, or interlocked to create custom installations. All light segments in the THIN collection can rotate 360° for direct and indirect illumination.

<b>DIMENSIONS</b>	24 IN OR 36 IN SEGMENT LENGTHS
<b>ORIENTATIONS</b>	WALL-MOUNTED OR SUSPENDED
<b>SEGMENT QUANTITY</b>	4 SEGMENTS TOTAL
<b>WATTAGE &amp; LUMENS</b>	24 IN - 27.2W, 0-2400LM TOTAL 36 IN - 38.4W, 0-3680LM TOTAL
<b>LIGHT TEMPERATURE</b>	2700K, 3000K, 3500K, 4000K
<b>LIGHT QUALITY</b>	90CRI
<b>MATERIALS</b>	SOLID BRASS, PMMA
<b>FINISHES</b>	SATIN BRASS, BLACK OXIDE, SATIN NICKEL
<b>CERTIFICATIONS</b>	CE, cUL, UL, TITLE 24, DAMP LOCATION
<b>OPTIONAL FEATURES</b>	CENTER-MOUNT WITH CABLE COLLAR, CENTER-MOUNT WITHOUT CABLE COLLAR, DIRECT-MOUNT TO CEILING



*THIN Primaries Rhombus with Cable Collar in Satin Brass*



*Wall-Mounted THIN Primaries Rhombus in Black Oxide*



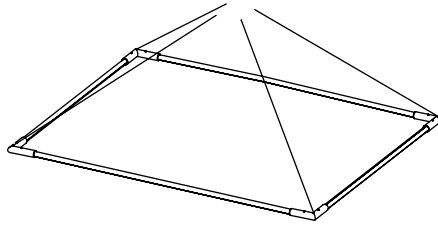
*Suspended THIN Primaries Rhombus with Cable Collar in Satin Brass*



RECTANGLE



OTHER MOUNTING  
OPTIONS AVAILABLE



## THIN PRIMARIES RECTANGLE

WITH PETER BRISTOL

The THIN Primaries Rectangle orientation features two pairs of parallel LED segments, creating an illuminated rectangle. Interconnect a custom configuration of 24-inch or 36-inch segment lengths for larger dimensions. The geometric shape can be suspended or wall/ceiling-mounted.

<b>DIMENSIONS</b>	24 IN OR 36 IN SEGMENT LENGTHS
<b>ORIENTATIONS</b>	WALL-MOUNTED OR SUSPENDED
<b>SEGMENT QUANTITY</b>	4 SEGMENTS TOTAL (CUSTOMIZABLE)
<b>WATTAGE &amp; LUMENS</b>	24 IN - 6.8W, 0-600LM PER SEGMENT 36 IN - 9.6W, 0-920LM PER SEGMENT
<b>LIGHT TEMPERATURE</b>	2700K, 3000K, 3500K, 4000K
<b>LIGHT QUALITY</b>	90 CRI
<b>MATERIALS</b>	SOLID BRASS, PMMA
<b>FINISHES</b>	SATIN BRASS, BLACK OXIDE, SATIN NICKEL
<b>CERTIFICATIONS</b>	CE, cUL, UL, TITLE 24, DAMP LOCATION
<b>OPTIONAL FEATURES</b>	CENTER-MOUNT WITH CABLE COLLAR, CENTER-MOUNT WITHOUT CABLE COLLAR, DIRECT-MOUNT TO CEILING





*THIN Primaries Rectangle in Satin Nickel*



*Wall-Mounted THIN Primaries Rectangle in Satin Nickel*

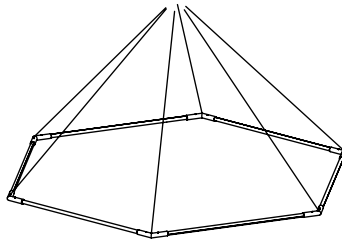




HEXAGON



OTHER MOUNTING  
OPTIONS AVAILABLE



## THIN PRIMARIES HEXAGON

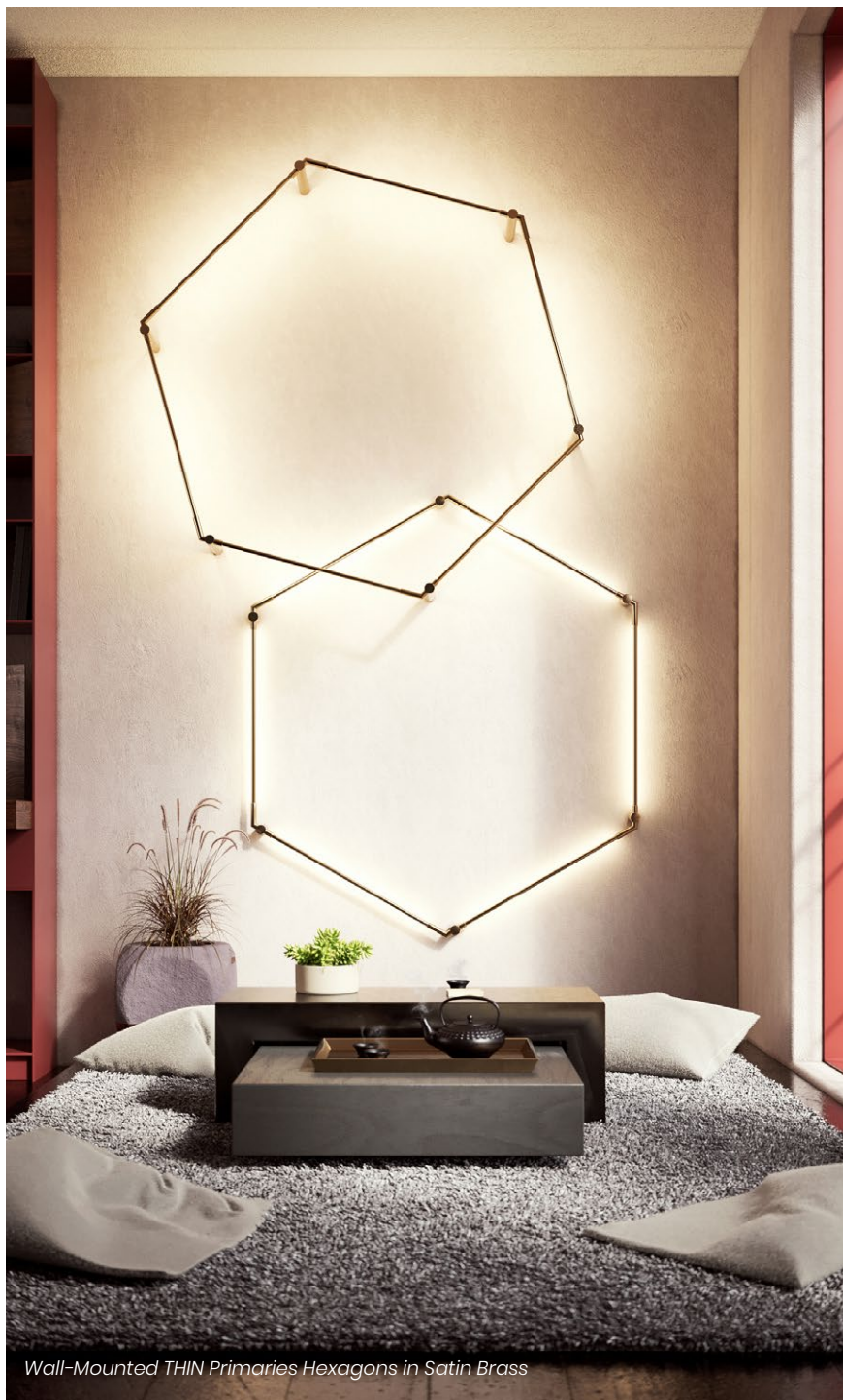
WITH PETER BRISTOL

The power of the THIN Primaries is perhaps best demonstrated in the Hexagon configuration. Featuring six dimmable LED light segments, the fixture can be expanded, stacked, or clustered to fit architectural specifications or create stunning lighting installations.

<b>DIMENSIONS</b>	24 IN OR 36 IN SEGMENT LENGTHS
<b>ORIENTATIONS</b>	WALL-MOUNTED OR SUSPENDED
<b>SEGMENT QUANTITY</b>	6 SEGMENTS TOTAL
<b>WATTAGE &amp; LUMENS</b>	24 IN - 40.8W, 0-3600LM TOTAL 36 IN - 57.6W, 0-5500LM TOTAL
<b>LIGHT TEMPERATURE</b>	2700K, 3000K, 3500K, 4000K
<b>LIGHT QUALITY</b>	90CRI
<b>MATERIALS</b>	SOLID BRASS, PMMA
<b>FINISHES</b>	SATIN BRASS, BLACK OXIDE, SATIN NICKEL
<b>CERTIFICATIONS</b>	CE, cUL, UL, TITLE 24, DAMP LOCATION
<b>OPTIONAL FEATURES</b>	CENTER-MOUNT WITH CABLE COLLAR, CENTER-MOUNT WITHOUT CABLE COLLAR, DIRECT-MOUNT TO CEILING



THIN Primaries Hexagons in Satin Nickel



*Wall-Mounted THIN Primaries Hexagons in Satin Brass*

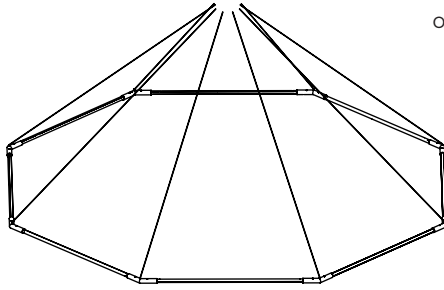




OCTAGON



OTHER MOUNTING  
OPTIONS AVAILABLE



## THIN PRIMARIES OCTAGON

WITH PETER BRISTOL

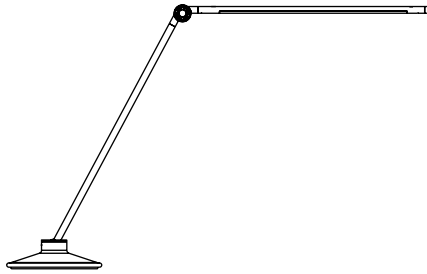
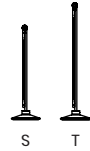
Each of the eight solid brass 135° corners are magnetically connected by Juniper's signature ½-inch diameter rotatable light segments to form an octagon. Users can mount this configuration to a surface for a wall display, or suspend the Octagon as a pendant.

<b>DIMENSIONS</b>	24 IN OR 36 IN SEGMENT LENGTHS
<b>ORIENTATIONS</b>	WALL-MOUNTED OR SUSPENDED
<b>SEGMENT QUANTITY</b>	8 SEGMENTS TOTAL
<b>WATTAGE &amp; LUMENS</b>	24 IN - 54.4W, 0-4800LM TOTAL 36 IN - 76.8W, 0-7400LM TOTAL
<b>LIGHT TEMPERATURE</b>	2700K, 3000K, 3500K, 4000K
<b>LIGHT QUALITY</b>	90CRI
<b>MATERIALS</b>	SOLID BRASS, PMMA
<b>FINISHES</b>	SATIN BRASS, BLACK OXIDE, SATIN NICKEL
<b>CERTIFICATIONS</b>	CE, cUL, UL, TITLE 24, DAMP LOCATION
<b>OPTIONAL FEATURES</b>	CENTER-MOUNT WITHOUT CABLE COLLAR, DIRECT-MOUNT TO CEILING





*THIN Primaries Octagons in Satin Brass*



## THIN TASK LAMP

WITH PETER BRISTOL

The precision-engineered THIN Task Lamp Collection features the standard (S) and tall (T) sizes. The table lamp showcases an on-board dimmer knob with a fully articulating hinge and ball joint. Other bases are available for desk-inset and wall-mounting options.

<b>DIMENSIONS</b>	S - 40 IN EXTENDED, T - 50 IN EXTENDED
<b>BASE OPTIONS</b>	CAST IRON BASE (STANDARD), WALL-MOUNT, DESK-INSET
<b>WATTAGE &amp; LUMENS</b>	S - 6W, 0-600LM T - 7W, 0-850LM
<b>LIGHT TEMPERATURE</b>	3000K
<b>LIGHT QUALITY</b>	90CRI
<b>MATERIALS</b>	BRASS, CAST IRON, CLEAR PMMA
<b>FINISHES</b>	SATIN BRASS, BLACK OXIDE, SATIN NICKEL
<b>CERTIFICATIONS</b>	cUL, UL, CE



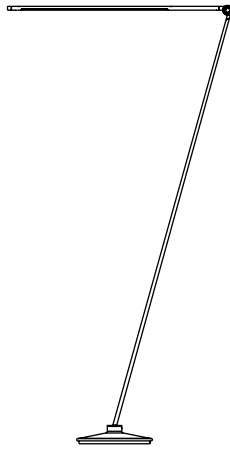
*THIN Task Lamp (S) in Satin Brass, Photo by ZiiHome*



*Wall-Mounted THIN Task Lamp & Ground Control Toggle Switch in Satin Nickel*



*Desk-Insert THIN Task Lamp (S) in Satin Brass*



## THIN FLOOR LAMP

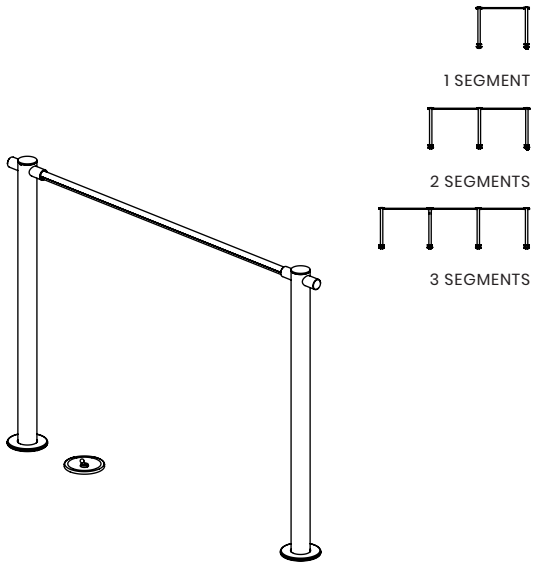
WITH PETER BRISTOL

The THIN Floor Lamp translates the minimalist style of the THIN Task Lamp Collection to an LED floor lamp. The precision-engineered lamp works with any international electrical outlet and showcases an on-board dimmer knob, fully articulating hinge, and ball joint.

<b>DIMENSIONS</b>	86 IN EXTENDED
<b>BASE OPTIONS</b>	CAST IRON BASE
<b>WATTAGE &amp; LUMENS</b>	7W, 0-730LM
<b>LIGHT TEMPERATURE</b>	3000K
<b>LIGHT QUALITY</b>	90CRI
<b>MATERIALS</b>	BRASS, CAST IRON, CLEAR PMMA
<b>FINISHES</b>	SATIN BRASS, BLACK OXIDE, SATIN NICKEL
<b>CERTIFICATIONS</b>	cUL, UL, CE



*THIN Floor Lamp in Black Oxide*



## THIN SHARED TASK LAMP

WITH PETER BRISTOL

The THIN Shared Task Lamp draws inspiration from old library lamps that cast a personal light while working or studying. The interconnecting dimmable LED segments can rotate to reposition light. Pair this with Ground Control accessories for added functionality.

<b>DIMENSIONS</b>	24 IN OR 36 IN SEGMENT LENGTHS 19 IN TALL
<b>EXTENDABLE LENGTHS</b>	UP TO 9FT, 3 CONNECTED SEGMENTS
<b>WATTAGE &amp; LUMENS</b>	24 IN - 6.8W, 0-600LM PER SEGMENT 36 IN - 9.6W, 0-920LM PER SEGMENT
<b>LIGHT TEMPERATURE</b>	2700K, 3000K, 3500K, 4000K
<b>LIGHT QUALITY</b>	90CRI
<b>MATERIALS</b>	SOLID BRASS, PMMA
<b>FINISHES</b>	SATIN BRASS, BLACK OXIDE, SATIN NICKEL
<b>POWER ACCESSORIES</b>	GROUND CONTROL TOGGLE SWITCH, DIMMER KNOB, DIMMER DIAL, DOUBLE USB PORT & POWER OUTLET
<b>CERTIFICATIONS</b>	CE, cUL, UL, TITLE 24, DAMP LOCATION



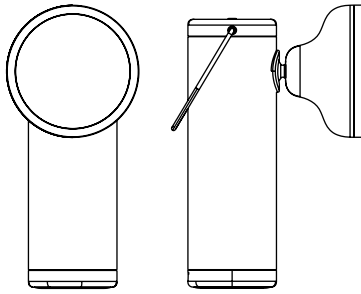


*THIN Shared Task Lamp in Satin Brass with Ground Control Accessories*





*THIN Shared Task Lamp in Satin Brass with Ground Control Toggle Switch*



## M LAMP

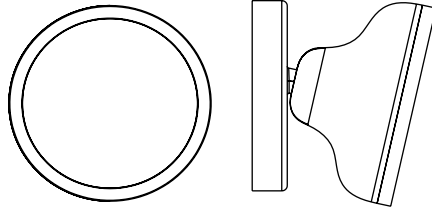
WITH DAVID IRWIN

The M Lamp draws inspiration from the iconic 19th Century miners' lamps. It features a 360° rotating head and integrated rechargeable battery. Long-lasting life and aluminum body means the dimmable M Lamp can be taken anywhere, even where power is limited.

<b>DIMENSIONS</b>	6 IN X 9.5 IN, 4.5 IN Ø HEAD
<b>WATTAGE &amp; LUMENS</b>	3W, 0-200LM
<b>LIGHT TEMPERATURE</b>	2700K
<b>LIGHT QUALITY</b>	90CRI
<b>BATTERY</b>	LITHIUM IRON PHOSPHATE BATTERY 2000 CHARGE CYCLES
<b>CHARGE LIFE</b>	8-70 HOURS PER CHARGE
<b>MATERIALS</b>	POWDER-COATED HIGH-GRADE ALUMINUM, ACRYLIC
<b>FINISHES</b>	GLOSSY WHITE, MATTE BLACK
<b>CERTIFICATIONS</b>	CE, FCC, UL (POWER SUPPLY)



*M Lamp in Glossy White*



## THE WALLY

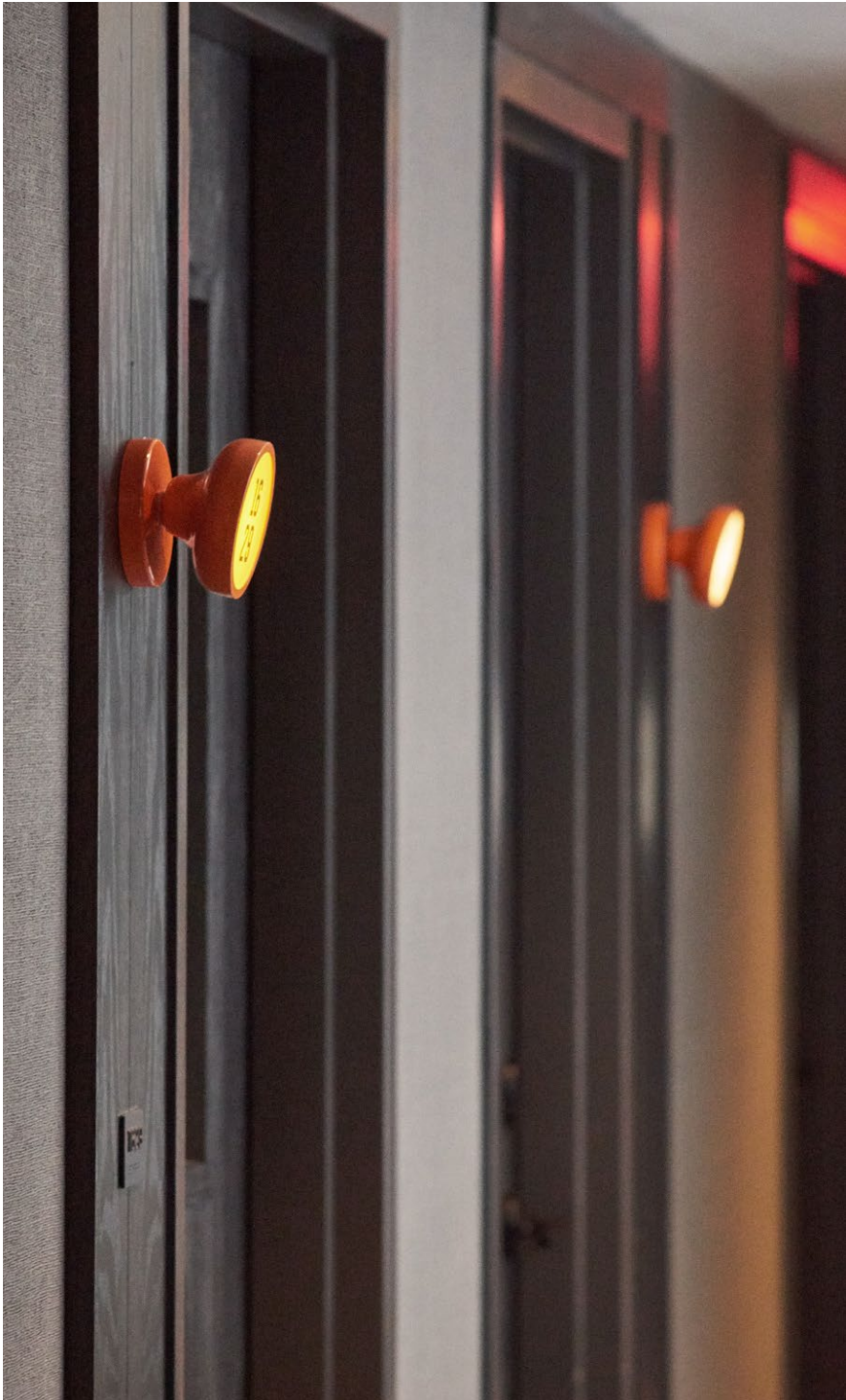
WITH DAVID IRWIN

The Wally sconce encapsulates the narrative of 19<sup>th</sup> century miners' headlamps. The fixture combines vintage aesthetic with the requirements of a modern and functional LED sconce. With custom decals, the Wally can be a playful sign or interactive indicator light.

<b>DIMENSIONS</b>	4.5 IN Ø HEAD X 4 IN
<b>WATTAGE &amp; LUMENS</b>	3W, 200LM (NON-DIMMABLE)
<b>LIGHT TEMPERATURE</b>	2700K
<b>LIGHT QUALITY</b>	80CRI
<b>MATERIALS</b>	PMMA, POWDER-COATED HIGH-GRADE ALUMINUM, VINYL FOR DECALS
<b>FINISHES</b>	GLOSSY ORANGE, GLOSSY WHITE, MATTE BLACK, CUSTOM FINISHES AVAILABLE UPON REQUEST
<b>CERTIFICATIONS</b>	UL, ETL
<b>OTHER FEATURES</b>	OPTIONAL CUSTOM VINYL DECALS, AMBER INDICATOR LIGHT, ADA COMPLIANT



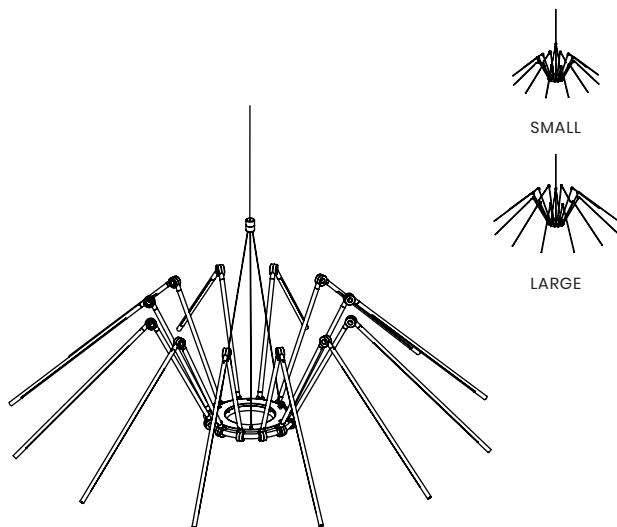
*The Wally in Matte Black with Custom Decal & Switch Plate*







*The Wally in Vibrant Orange with Custom Decal, The Moxy Hotel, Times Square, NY*



## THIN CHANDELIER

WITH PETER BRISTOL

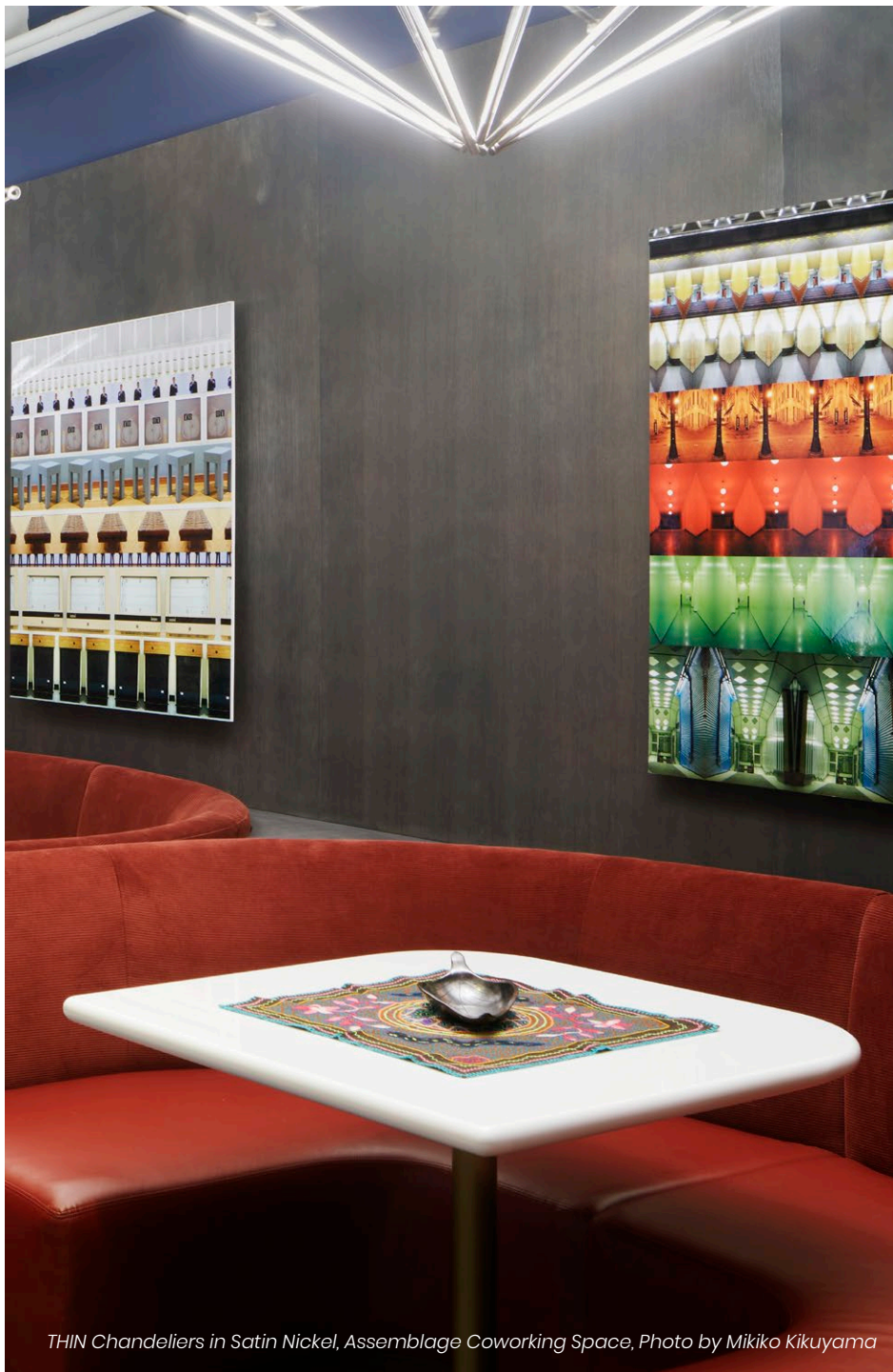
The THIN Chandelier is an elegant modular LED fixture that appears to suspend weightlessly. Available in two sizes, the chandelier is made from precision-machined ½-inch Ø brass tubes. Dimmable light arrays can be articulated on-site to form countless arrangements.

<b>DIMENSIONS</b>	SMALL - 87 IN Ø EXPANDED LARGE - 127 IN Ø EXPANDED
<b>SEGMENT QUANTITY</b>	12 SEGMENTS TOTAL
<b>WATTAGE &amp; LUMENS</b>	SMALL - 48W, 0-5300LM TOTAL LARGE - 80W, 0-8850LM TOTAL
<b>LIGHT TEMPERATURE</b>	2700K, 3000K, 3500K, 4000K
<b>LIGHT QUALITY</b>	90CRI
<b>MATERIALS</b>	BRASS, ACRYLIC, PMMA
<b>FINISHES</b>	SATIN BRASS, BLACK OXIDE, SATIN NICKEL
<b>CERTIFICATIONS</b>	cUL, UL, CE



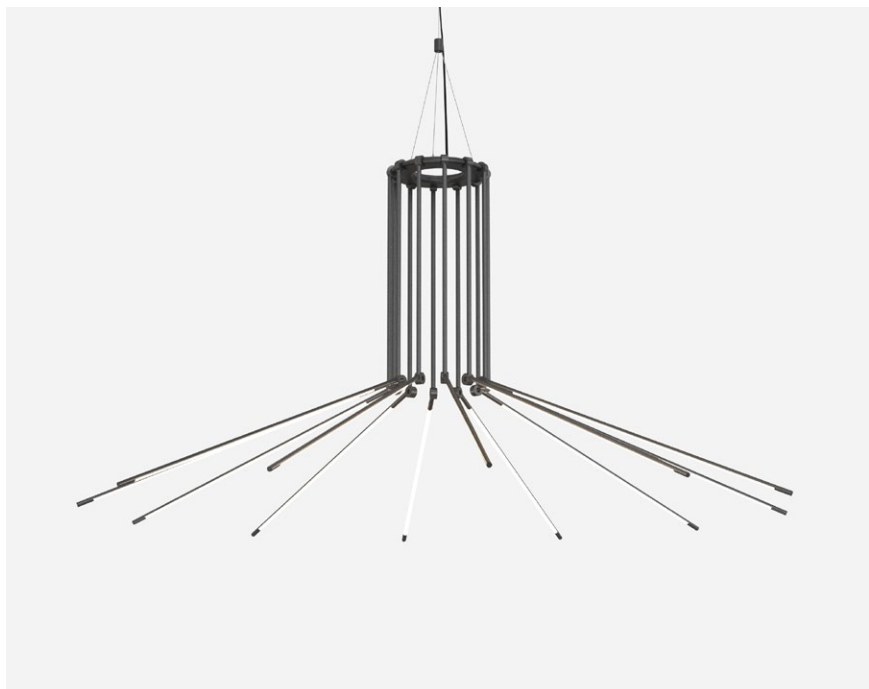
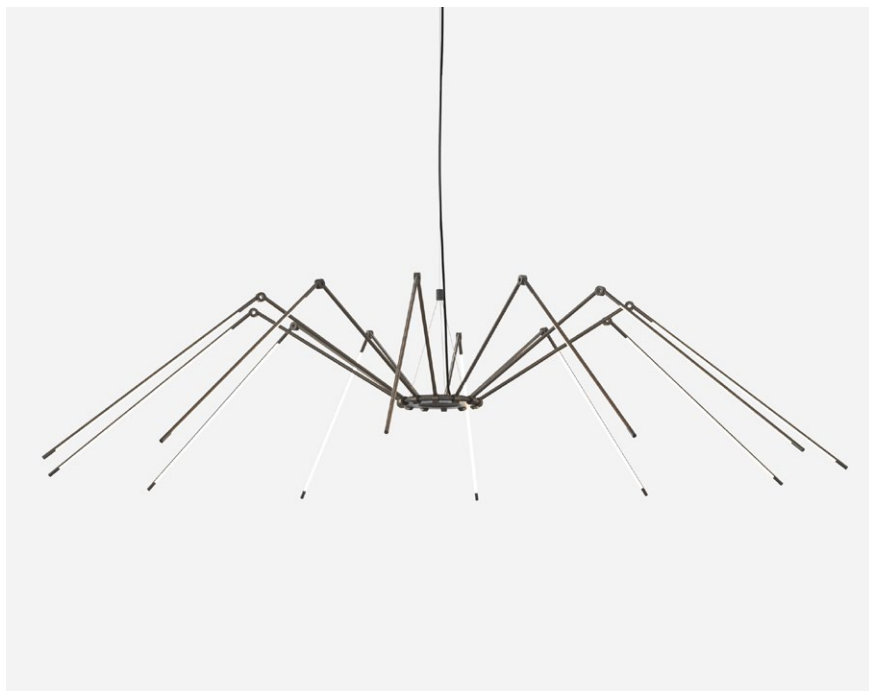
*THIN Chandelier in Satin Brass*

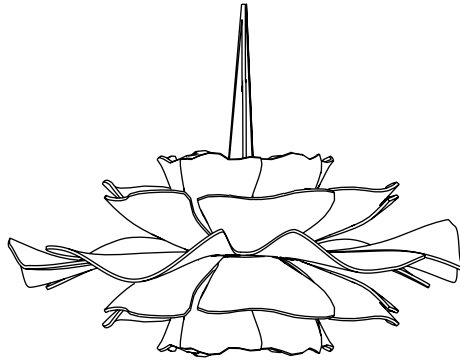




*THIN Chandeliers in Satin Nickel, Assemblage Coworking Space, Photo by Mikiko Kikuyama*







## LOVE ME NOT | À LA FOLIE

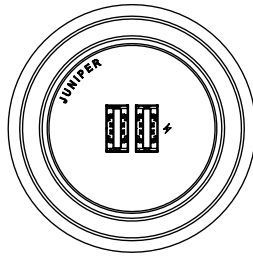
WITH PASCALE GIRARDIN

The Love Me Not draws from childhood memories of picking petals off of daisies. The LED pendant's delicate curves and diffused light are crafted from five layers of acrylic with a porcelain-like matte finish. Each pendant is hand-formed so no two fixtures are identical.

<b>DIMENSIONS</b>	36 IN Ø X 16 IN
<b>LUMENS</b>	0-3000LM
<b>LIGHT TEMPERATURE</b>	3000K
<b>LIGHT QUALITY</b>	90CRI
<b>WATTAGE</b>	32W
<b>MATERIALS</b>	COPPER, ALUMINUM FROSTED PMMA
<b>FINISH (HEATSINK)</b>	BLACK OXIDE
<b>CERTIFICATIONS</b>	cUL, UL







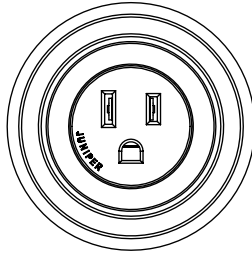
## GROUND CONTROL DOUBLE USB PORT

The Ground Control Double USB Port is a furniture-mounted power accessory that features two universal USB plugs and mounts to a desk's surface. Made of a solid brass casing, this elevated device charger complements Juniper lighting fixtures and other Ground Control accessories.

<b>DIMENSIONS</b>	2.5 IN Ø X 2 IN
<b>COMPATIBILITY</b>	2.0 TYPE A
<b>MATERIALS</b>	BRASS, ABS
<b>FINISHES</b>	SATIN BRASS, BLACK OXIDE, SATIN NICKEL
<b>CERTIFICATION</b>	CE



*Ground Control Double USB Port in Satin Brass*



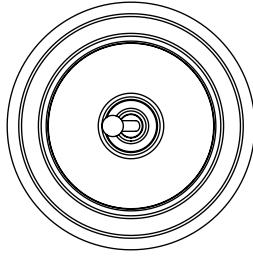
## GROUND CONTROL POWER OUTLET

The Ground Control Power Outlet is designed to be installed on panels and desktops. The Type B power receptacle is embedded inside a precision-machined solid brass grommet. The natural patina finishes speaks to the simple luxury of the design.

<b>DIMENSIONS</b>	2.5 IN Ø X 2 IN
<b>COMPATIBILITY</b>	NEMA 5-15 (IEC PLUG TYPE B)
<b>MATERIALS</b>	BRASS, ABS
<b>FINISHES</b>	SATIN BRASS, BLACK OXIDE, SATIN NICKEL
<b>CERTIFICATIONS</b>	cUL, UL



*Ground Control Power Outlet in Satin Brass*



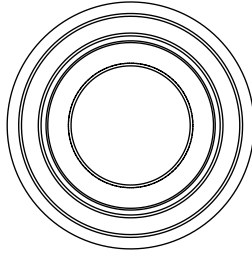
## GROUND CONTROL TOGGLE SWITCH

Inspired by the dials and switches of mid-century mission control rooms, the Ground Control Toggle Switch is precision-machined from solid brass and furniture-mounted to operate in line with a range of low voltage light fixtures.

<b>DIMENSIONS</b>	2.5 IN Ø X 2 IN
<b>COMPATIBILITY</b>	THIN COLLECTION METROPOLIS COLLECTION AXIS COLLECTION MOST 12-24V CONSTANT VOLTAGE LIGHTING
<b>MATERIALS</b>	BRASS, ABS
<b>FINISHES</b>	SATIN BRASS, BLACK OXIDE, SATIN NICKEL



*Ground Control Toggle Switch in Satin Brass*



## GROUND CONTROL DIMMER KNOB

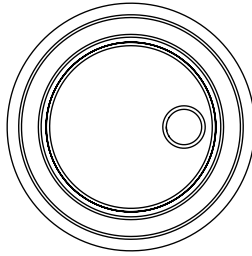
Rotating brass dimmers pay tribute to the iconic designs and heavy-hand feel of quality mid-century audio controls. The Ground Control Dimmer Knob is machined from solid brass to deliver a satisfying weight as it rotates and dims light fixtures.

<b>DIMENSIONS</b>	2.5 IN Ø X 2 IN
<b>COMPATIBILITY</b>	THIN COLLECTION METROPOLIS COLLECTION AXIS COLLECTION MOST 12-24V CONSTANT VOLTAGE LIGHTING
<b>MATERIALS</b>	BRASS, ABS
<b>FINISHES</b>	SATIN BRASS, BLACK OXIDE, SATIN NICKEL





*Ground Control Dimmer Knob in Satin Brass*



## GROUND CONTROL DIMMER DIAL

The Ground Control Dimmer Dial unites vintage aesthetics with modern functionality through a brass surface-mounted power accessory. The slim dial features a broad circular brass plate atop a slender neck. The dimmer is nestled in a solid brass grommet designed to be easily mounted to panels or desktops.

<b>DIMENSIONS</b>	2.5 IN Ø X 2 IN
<b>COMPATIBILITY</b>	THIN COLLECTION METROPOLIS COLLECTION AXIS COLLECTION MOST 12-24V CONSTANT VOLTAGE LIGHTING
<b>MATERIALS</b>	BRASS, ABS
<b>FINISHES</b>	SATIN BRASS, BLACK OXIDE, SATIN NICKEL



*Ground Control Dimmer Dial in Satin Brass*



*Ground Control Double USB Port & Dimmer Knob*



*Ground Control Double USB Port, Dimmer Dial & Power Outlet*



## GLOSSARY



### THIN SOLIDS DIAMOND

12 IN, 18 IN, & 24 IN OPTIONS  
OCTAHEDRON SHAPE  
SUSPENDED FROM 1 POINT



### THIN SOLIDS TETRAHEDRON

12 IN, 18 IN, & 24 IN OPTIONS  
TRIANGULAR PYRAMID SHAPE  
SUSPENDED FROM 1 OR 3 POINTS



### THIN SOLIDS CUBE

12 IN, 18 IN, & 24 IN OPTIONS  
CUBE SHAPE, SUSPENDED FROM  
1, 2, OR 4 POINTS



### THE RAIL OUTDOOR SYSTEM

36 IN, 48 IN, & 60 IN OPTIONS  
ROTATABLE INTERCONNECTING  
OUTDOOR SYSTEM



### AXIS X AND +

36 IN & 48 IN OPTIONS  
X OR + ORIENTATION, HORIZONTAL  
OR VERTICAL SUSPENSION



### AXIS X VERTICAL SUSPENSION

36 IN & 48 IN OPTIONS  
4 LIGHT ARRAYS PER FIXTURE  
VERTICAL PENDANT

# GLOSSARY



32



## AXIS T

36 IN & 48 IN OPTIONS  
T-SHAPED SUSPENDED LIGHTING  
WITH DIRECT/INDIRECT DIMMING



36



## AXIS WALL SCONCE

12 IN, 24 IN, 36 IN, 48 IN OPTIONS  
WALL-MOUNTED SCONCE



38



## METROPOLIS WALL-TO-WALL

CUSTOM LENGTHS  
WALL-TO-WALL SYSTEM  
DIRECT/INDIRECT DIMMING



42



## METROPOLIS SUSPENDED

36 IN & 48 IN OPTIONS, 3.5 IN Ø  
DIRECT/INDIRECT DIMMING  
MESH DIFFUSER AVAILABLE



46



## METROPOLIS WALL SCONCE

26 IN, 36 IN, & 48 IN OPTIONS  
WALL-MOUNTED SCONCE  
MESH DIFFUSER AVAILABLE



50



## THIN SUSPENSION

24 IN & 36 IN SEGMENT OPTIONS  
EXTENDABLE SUSPENDED SYSTEM  
LONGER LENGTHS AVAILABLE

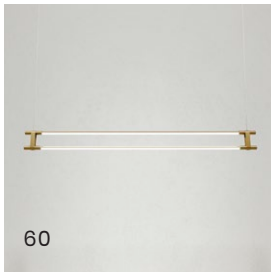


56



## THIN VERTICAL SUSPENSION

24 IN, 36 IN, & 48 IN OPTIONS  
1, 3, 4, & 6 CLUSTERS AVAILABLE  
CUSTOM DROP HEIGHTS



60



## THIN MULTIPLES DYAD

24 IN & 36 IN SEGMENT OPTIONS  
2 SEGMENTS PER SECTION  
LONGER LENGTHS AVAILABLE



64



## THIN MULTIPLES TRIAD

24 IN & 36 IN SEGMENT OPTIONS  
3 SEGMENTS PER SECTION  
LONGER LENGTHS AVAILABLE



# GLOSSARY



66



## THIN MULTIPLES VERTICAL TRIAD

24 IN & 36 IN SEGMENT OPTIONS  
3 SEGMENTS PER SECTION  
VERTICAL PENDANT



68



## THIN MULTIPLES TETRAD

24 IN & 36 IN SEGMENT OPTIONS  
4 SEGMENTS PER SECTION  
LONGER LENGTHS AVAILABLE



70



## THIN MULTIPLES VERTICAL TETRAD

24 IN & 36 IN SEGMENT OPTIONS  
4 SEGMENTS PER SECTION  
VERTICAL PENDANT

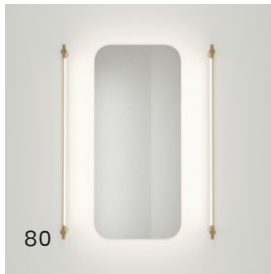


74



## THIN SURFACE MOUNT PICTURE

24 IN & 36 IN SEGMENT OPTIONS  
INTERCONNECTING SYSTEM,  
LONGER LENGTHS AVAILABLE



80



## THIN SURFACE MOUNT VANITY

24 IN & 36 IN SEGMENT OPTIONS  
INTERCONNECTING SYSTEM,  
LONGER LENGTHS AVAILABLE



84



## THIN SURFACE MOUNT DISPLAY

24 IN & 36 IN SEGMENT OPTIONS  
INTERCONNECTING SYSTEM,  
LONGER LENGTHS AVAILABLE



88



## THIN PRIMARIES TRIANGLE

24 IN & 36 IN SEGMENT OPTIONS  
TRIANGLE, WALL-MOUNTED OR  
SUSPENDED



92



## THIN PRIMARIES SQUARE

24 IN & 36 IN SEGMENT OPTIONS  
SQUARE, WALL-MOUNTED OR  
SUSPENDED



94



## THIN PRIMARIES RHOMBUS

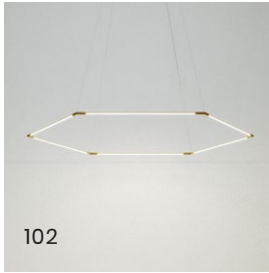
24 IN & 36 IN SEGMENT OPTIONS  
RHOMBUS, WALL-MOUNTED OR  
SUSPENDED

# GLOSSARY



## THIN PRIMARIES RECTANGLE

24 IN & 36 IN SEGMENT OPTIONS  
RECTANGLE, CUSTOM  
DIMENSIONS AVAILABLE



## THIN PRIMARIES HEXAGON

24 IN & 36 IN SEGMENT OPTIONS  
HEXAGON, WALL-MOUNTED OR  
SUSPENDED



## THIN PRIMARIES OCTAGON

24 IN & 36 IN SEGMENT OPTIONS  
OCTAGON, WALL-MOUNTED OR  
SUSPENDED



## THIN TASK DESK LAMP

STANDARD & TALL SIZE OPTIONS  
TABLETOP, DESK-INSET, & WALL-  
MOUNTED BASES AVAILABLE



## THIN FLOOR LAMP

86 IN EXTENDED  
PLUG-IN FLOOR LAMP  
ADJUSTABLE POSITIONING



## THIN SHARED TASK

24 IN & 36 IN SEGMENT OPTIONS  
DESK-INSET INTERCONNECTING  
SYSTEM



## M LAMP

6 IN X 9 IN  
CHARGABLE, DIMMABLE  
360° ADJUSTABLE HEAD LAMP



## WALLY

4.5 IN X 4 IN  
WALL-MOUNTED SCNCE  
CUSTOM DECAL OPTIONAL



## THIN CHANDELIER

TWO SIZES AVAILABLE  
ADJUSTABLE SUSPENDED  
CHANDELIER

# GLOSSARY



130



## LOVE ME NOT

36 IN X 16 IN  
HAND-FORMED ACRYLIC PENDANT



132



## GROUND CONTROL USB PORT

2.5 IN Ø  
UNIVERSAL DESK-INSET DOUBLE  
USB PORT POWER ACCESSORY



134



## GROUND CONTROL OUTLET

2.5 IN Ø  
UNIVERSAL DESK-INSET NEMA 5-15  
POWER OUTLET ACCESSORY



136



## GROUND CONTROL TOGGLE

2.5 IN Ø  
TOGGLE ON/OFF DESK-INSET  
LOW-VOLTAGE SWITCH



138



## GROUND CONTROL KNOB

2.5 IN Ø  
ON/DIM/OFF DESK-INSET LOW-  
VOLTAGE DIMMER KNOB



140



## GROUND CONTROL DIAL

2.5 IN Ø  
ON/DIM/OFF DESK-INSET LOW-  
VOLTAGE DIMMER DIAL